

Breezway Louvres



Breezway Australia Pty Ltd has been designing and manufacturing louvre windows since 1947. The company has led the resurgence of louvre windows over the last ten years and today is at the forefront of louvre window technology and design, with a constant stream of product improvements flowing from its Brisbane-based R&D Centre.

The inventions have led to today's high performance, architecturally focussed Altair® Louvre Window products that are the ideal choice for maximising the benefits of natural light, fresh air and a sense of space in any contemporary residential or commercial design.

To maximise the flow of natural breeze-paths, Breezway Altair® Louvre Windows open twice as wide as regular windows to capture cooling breezes as effectively as possible.

Manufactured from non-corrosive materials with strict adherence to Australian standards and exhaustive testing in a NATA certified laboratory ensure that Altair® Louvre Windows give the best performance possible from a louvre window.

When closed, Altair® Louvres seal tightly to ensure superior wind and water performance and are rated for use in cyclonic areas. Breezway Louvre Windows are also very versatile as they can be custom made to fit into almost any space required, be it tall, short, wide or narrow to provide the minimum ventilation and daylight floor area requirements.

Home automation is a growing trend and Breezway are proud to offer its sleek, elegant and sophisticated Altair Powerlouvre®

Window for those seeking automated window alternatives. With no external rods or motors, Powerlouvre® Windows are an innovative way to ventilate a building. The Altair® Powerlouvre Window can be controlled by wall switch, remote control or can even be integrated into any Building Management System (BMS) to suit a range of budget and control needs.

If additional strength and safety is required, Altair® Louvres with the Stronghold® System are the perfect solution. The Stronghold System has been designed to achieve blade retention without obstructing outdoor views, which is ideal for use more in multi-storey buildings or balcony enclosures. This allows one to gain the benefits of full ventilation whilst providing added safety to the entire window opening.







Highly evolved security

A bold fusion of art & science



SecureView's design embraces the very essence of elegant simplicity. Sleek, precise lines integrate seamlessly with your home to maximise your view and add value to your home.

Australian made from the finest materials available, SecureView works smarter to offer you the ultimate peace of mind without sacrificing your lifestyle.

SECUREVIEW

HIGHLY EVOLVED SECURITY

Louvres

Altair Louvre - Introduction _____	F.3
Altair Louvre Components - Louvre Gallery - Standard & Extended Gallery _____	F.4
Altair Louvre Components - Standard Gallery Heights for 152 Blade Louvre Gallery _____	F.5
Altair Louvre Components - Standard Gallery Heights for 102 Blade Louvre Gallery _____	F.6
Altair Louvre Components - Weatherstrips _____	F.7
Altair Louvre Components - Mullions _____	F.8

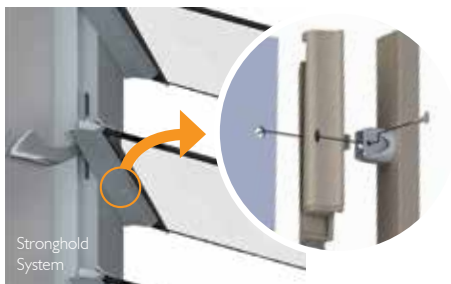


F

Window & Door Hardware



Altair[®] Louvres with the Stronghold[®] System



Altair[®] Louvre Windows with the Stronghold[®] System locks louvre blades in place and provides extra safety when blades are in the open position.

Ideal for use more than 4 metres above ground level to gain the benefits of full ventilation and safety from the strong blade retention.

The Stronghold[®] System has been tested to AS2047 "Windows in Buildings" and to ICF005 "Protection of Openable Windows" to ensure superior performance.

breezway[®]

ALTAIR LOUVRE WINDOWS

Breezway Altair® Louvre Windows are premium quality windows that offer a number of benefits over other window types.

Features:

- Maximum ventilation with up to 90% of the window area able to be opened
- Can be left open for ventilation in gentle rain
- Exterior surface can be cleaned from inside the building

Additionally, Altair Louvre Windows offer:

- The patented 'living hinge' design which gives the tightest seal
- A wide range of standard colours to which clips and handles can be colour matched
- A range of handle options
- Compatibility with many frame types
- Keylocks and other security options
- Full compliance with AS2047 and AS1288
- Custom WERS Energy ratings
- For all Technical details and Technical information, please refer to the Breezway Design Manual online
- Breezway Louvres are available in either component form or as fully integrated and assembled systems
- For assistance with all your Breezway enquiries please contact your Lincoln Sentry Territory Manager

ALTAIR LOUVRE - COMPONENTS

Altair® Louvres can be ordered in component form. To order Louvres as components you MUST PROVIDE US WITH ALL of the required information. **Lincoln Sentry will not take responsibility for incorrect components ordered, final usage application or product complying to specific building standards other than the ones stated by the manufacturers Breezway Australia Pty. Ltd.**

Features:

- Altair® Louvres are manufactured from extruded aluminium alloy 6060 T5, with screw-on or with convenient clip-on features
- Blade holding clips are UV stabilised polypropylene, that incorporate the unique patent drainage system
- Bearings are injection-moulded acetal, incorporating the patented living hinge and are gear driven by T shaped aluminium-operating bars
- Standard and Innoscreen* handles are ergonomically designed, injection moulded acetal. Low profile and ring handles are stainless steel
- The blade holding clips and the operating mechanism are replaceable
- Altair® Weatherstrip, complete with flexible santoprene seal shall be fitted to manufacturer's specification with an approved sealant to head and sill of each louvre set
- The louvre system shall comply with AS2047 or NZS4211 (windows in buildings), including performance for water penetration and air infiltration tests for windows
- Glass or Breezway Australia hollow extruded aluminium blades are 102 or 152mm x 6mm thick. Length of blades must be in accordance with AS1288 (Glass in buildings) or Breezway Product Performance Warranty
- Timber blades are rebated to suit 6mm clip and either the 102mm or 152mm width and have a water performance rating to suit site conditions (refer to warranty). Straight cut 14mm timber blades are also available
- The Keylock is capable of being operable after testing to 15000 lock and unlock cycles
- The Key is removable from the Key lock when in the locked position
- The Keylock body is made from injection moulded acetal and nylon for strength with self lubrication properties
- The lock is intuitive in operation

**Innoscreen handles not available in component form, only as part of Innoscreen Window Systems.*

Louvres

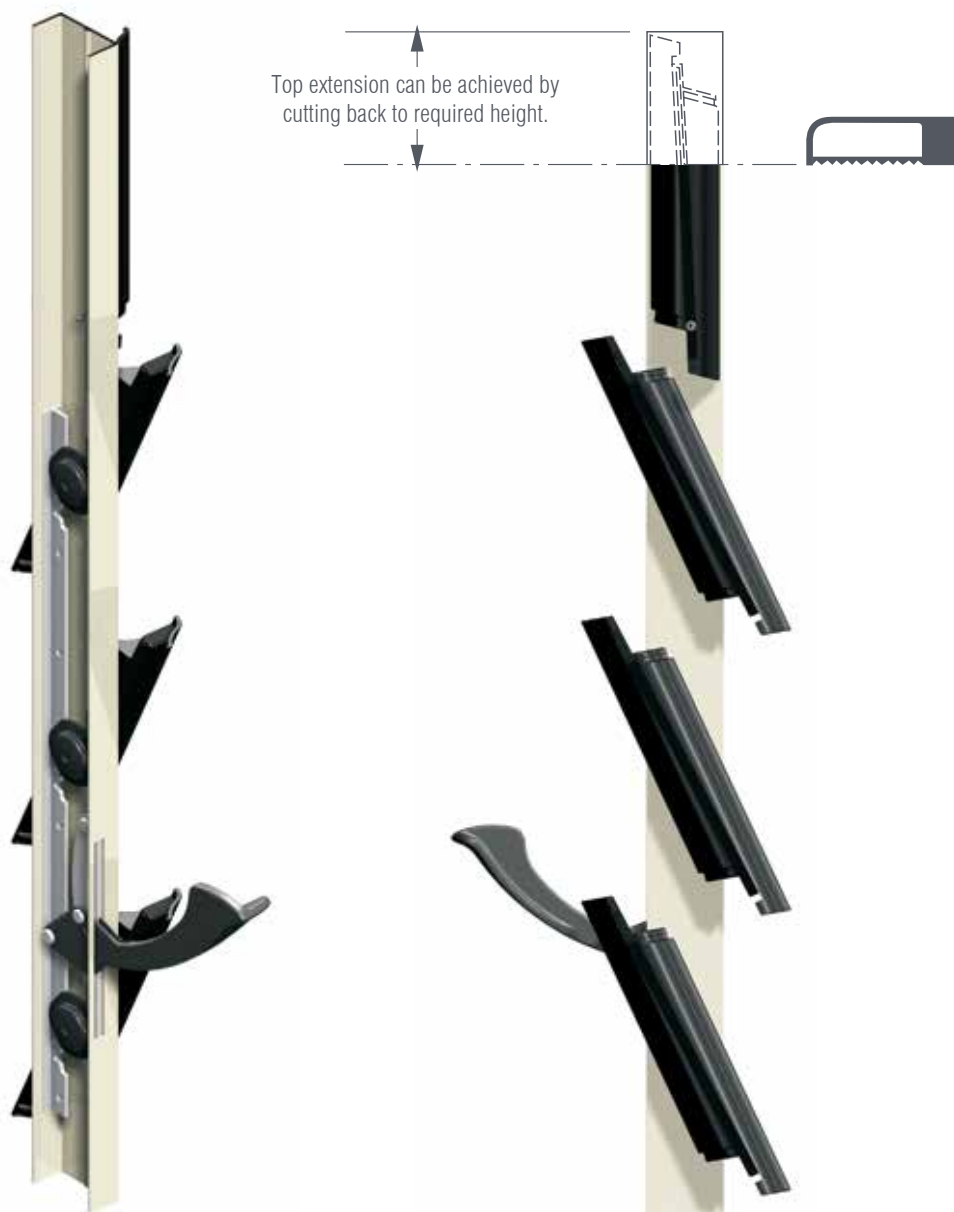
ALTAIR LOUVRE COMPONENTS - LOUVRE GALLERY

STANDARD GALLERY LOUVRES / EXTENDED GALLERY LOUVRES

Altair® Louvres are available in Standard Gallery height or as Extended Gallery height.

Extended Gallery height louvres, with an extended channel, can be cut down to suit a specific height. Note that the extended part is situated at the top of the gallery. A fixed blade is then inserted in the void left above.

Extended Gallery are only stocked in selected Lincoln Sentry branches (contact Lincoln Sentry for more details).



Louvres

ALTAIR LOUVRE COMPONENTS - STANDARD GALLERY

STANDARD GALLERY HEIGHT

It is recommended that, wherever possible, Altair® Louvre Windows should be designed to a standard height. This will reduce the product cost and ensure effective opening of all blades.

In some circumstances this may not be possible. In these instances the Altair® Louvre can be ordered with Extended Channel. The Extended Channel is a continuation of the channel that is cut to size, giving improved appearance and water performance in comparison to an add-on extension piece.

The Louvre is supplied with an Extended Channel that can be cut back to the required height. Note that the part to be cut down is located at the top of the gallery. All glass blades must comply with the requirements of AS2047 "Glass in Buildings."

For example, on the previous page, the Louvre illustrated is ordered as 3 blade with Extended Channel.

STANDARD HEIGHTS FOR 152 BLADE LOUVRE GALLERY

No. of Blades	Height (mm) No W'strip	Height (mm) With W'strip	Blades Controlled in Banks from Head Down	Black Standard ①	White Standard ②	Clear Anod. ③
2	320	330	2	3-294-001	3-294-025	3-294-050
3	460	470	3	3-294-002	3-294-026	3-294-051
4	600	610	4	3-294-003	3-294-027	3-294-052
5	740	750	5	3-294-004	3-294-028	3-294-053
6	880	890	6	3-294-005	3-294-029	3-294-054
7	1020	1030	7	3-294-006	3-294-030	3-294-055
8	1160	1170	8	3-294-007	3-294-031	3-294-056
9	1300	1310	9	3-294-008	3-294-032	3-294-057
10	1440	1450	7 3	3-294-009	3-294-033	3-294-058
11	1580	1590	7 4	3-294-010	3-294-034	3-294-059
12	1720	1730	7 5	3-294-011	3-294-035	3-294-060
13	1860	1870	8 5	3-294-012	3-294-036	Some items may not be stocked. These are available as buy in items on extended lead times.
14	2000	2010	9 5	3-294-013	3-294-037	
15	2140	2150	7 8	3-294-014	3-294-038	
16	2280	2290	7 9	3-294-015	3-294-039	
17	2420	2430	8 9	3-294-016		
18	2560	2570	9 9			
19	2700	2710	9 4 6			
20	2840	2850	9 6 5			
21	2980	2990	9 7 5			

Note:

- ① Gallery has black clips and black standard handles only.
- ② Gallery has white clips and white standard handles only.
- ③ Gallery has black clips and black standard handles only.

STANDARD HEIGHTS FOR 102 BLADE LOUVRE GALLERY

No. of Blades	Height (mm) No W'strip	Height (mm) With W'strip	Blades Controlled in Banks from Head Down				Black Standard ^①	White Standard ^②	Clear Anod. Standard ^③
3	310	320	3				3-294-300	3-294-340	3-294-370
4	400	410	4				3-294-301	3-294-341	3-294-371
5	490	500	5				3-294-302	3-294-342	3-294-372
6	580	590	6				3-294-303	3-294-343	3-294-373
7	670	680	7				3-294-304	3-294-344	3-294-374
8	760	770	8				3-294-305	3-294-345	3-294-375
9	850	860	9				3-294-306	3-294-346	3-294-376
10	940	950	6	4			3-294-307	3-294-347	3-294-377
11	1030	1040	6	5			3-294-308	3-294-348	3-294-378
12	1120	1130	6	6			3-294-309	3-294-349	3-294-379
13	1210	1220	6	7			3-294-310	3-294-350	3-294-380
14	1300	1310	7	7			3-294-311	3-294-351	3-294-381
15	1390	1400	7	8			3-294-312	3-294-352	3-294-382
16	1480	1490	9	7			3-294-313	3-294-353	3-294-383
17	1570	1580	9	8			3-294-314	3-294-354	3-294-384
18	1660	1670	9	9			3-294-315	3-294-355	3-294-385
19	1750	1760	9	5	5		3-294-316	3-294-356	3-294-386
20	1840	1850	9	5	6		3-294-317	3-294-357	3-294-387
21	1930	1940	9	5	7		3-294-318	3-294-358	3-294-388
22	2020	2030	9	6	7		3-294-319	3-294-359	3-294-389
23	2110	2120	9	6	8		3-294-320	3-294-360	3-294-390
24	2200	2210	9	6	9		3-294-321	3-294-361	3-294-391
25	2290	2300	9	9	7		3-294-322	3-294-362	3-294-392
26	2380	2390	9	9	8		3-294-323	3-294-363	3-294-393
27	2470	2480	9	9	9		3-294-324	3-294-364	3-294-394
28	2560	2570	9	6	4	9	Some items may not be stocked. These are available as buy in items on extended lead times.		
29	2650	2660	9	6	5	9			
30	2740	2750	9	7	5	9			
31	2830	2840	9	7	6	9			
32	2920	2930	9	7	7	9			
33	3010	3020	9	7	8	9			

Note:

- ① Gallery has black clips and black standard handles only.
- ② Gallery has white clips and white standard handles only.
- ③ Gallery has black clips and black standard handles only.

Louvres

ALTAIR LOUVRE COMPONENTS - WEATHERSTRIPS

ALTAIR WEATHERSTRIP

Please specify if you wish to have Altair® Weatherstrip supplied as either Cut-to-Length or as Uncut 2.9 metre Lengths.

PLEASE NOTE: When using Weatherstrip, 10mm will be added to the overall height of the opening.

Features:

- New Altair® Weatherstrip does not require notching to accommodate the louvre gallery
- The Altair® Louvre gallery sits on top of the new Weatherstrip, adding 10mm to the overall height
- Weatherstrip must be used in the head and sill to achieve performance ratings
- The Aluminium Weatherstrip insert now uses a higher performance co-extruded Santoprene Seal

WEATHERSTRIP LENGTH

- 2.9 metre length

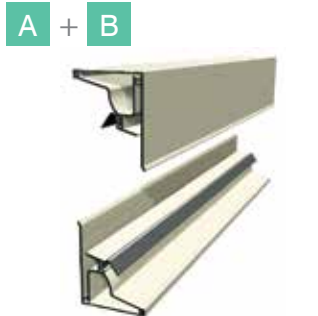



Description	Finish	Code
Standard Weatherstrip	Black	3-297-310
Standard Weatherstrip	Clear Anodised	3-297-312
Standard Weatherstrip	White	3-297-314
Weatherstrip Insert	Black	3-297-334
Weatherstrip Insert	Clear Anodised	3-297-330
Weatherstrip Insert	White	3-297-332
Glass/Aluminium Carrier	Black	3-297-344
Glass/Aluminium Carrier	Clear Anodised	3-297-340
Glass/Aluminium Carrier	White	3-297-342
Timber Blade Carrier		3-297-350



ALTAIR WEATHERSTRIP CUT-TO-SIZE SETS

When ordering please specify the following:

- Weatherstrip Set required to suit application
- Quantity of Sets required
- Specify Cut-to-Length or 2.9m for A and B only

Altair® Standard Weatherstrip Set	Altair® Extended Gallery Weatherstrip Set for Timber Blades	Altair® Extended Gallery for Aluminium / Glass Blades	Example of Weatherstrip with Extended Gallery for Glass
<p>A + B</p>  <p>A + B</p>	<p>A + D</p>  <p>A + B</p>	<p>A + C</p>  <p>A + B</p>	 <p>Weatherstrip Glass/Alum Blade Carrier</p> <p>Extension Clip</p>
Cut-to-Length Weatherstrip when using Standard Height Louvres	Cut-to-Length Weatherstrip when using an Extended Gallery Louvres with timber blades	Cut-to-Length Weatherstrip when using an Extended Gallery Louvres with Aluminium or glass blades	

Louvres

ALTAIR LOUVRE COMPONENTS - MULLIONS

MULLIONS

Features:

- 3 metre length
- Suits 102 and 152 Galleries

Description	Finish	Code
Light Duty Mullion Strip	Black	3-295-018BLK
Light Duty Mullion Strip	Clear Anodised	3-295-018C
Light Duty Mullion Strip	White	3-295-018WH
Medium Duty Mullion	Black	3-295-017BLK
Medium Duty Mullion	Clear Anodised	3-295-017C
Medium Duty Mullion	White	3-295-017WH
Medium Duty Mullion	Bronze	3-295-017BZ

Note: For mullion selection to suit wind rating, consult the Breezway Design Manual online.

FIXING BRACKETS FOR ALTAIR MULLIONS

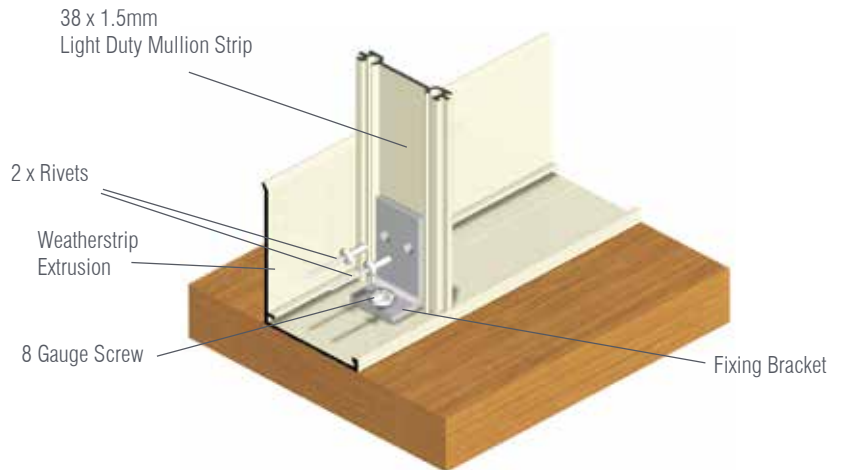
Features:

- Sold in pairs
- Suits Mullion Strip and Medium Duty Mullion
- 1 set required for Mullion Strip
- 2 sets required for Medium Duty Mullion

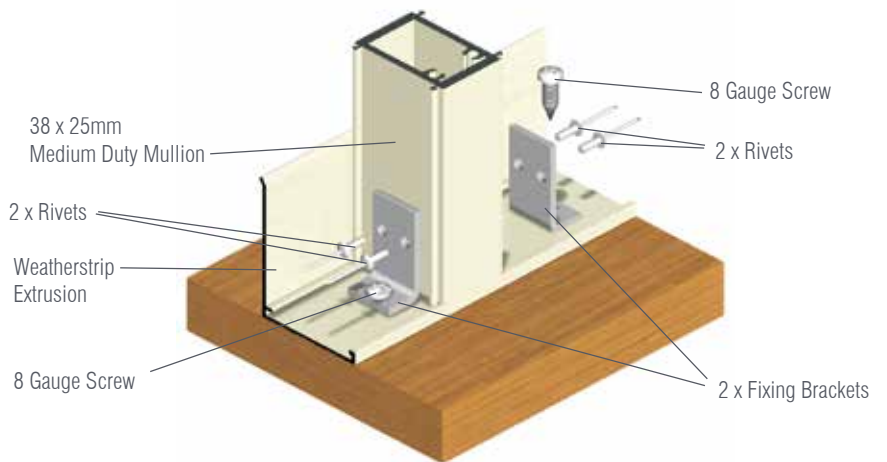
Description	Code
Fixing Bracket	3-295-019

F

Window & Door Hardware



Bracket Details for Light Duty Mullion Strip



Bracket Details for Medium Duty Mullion



Automated Windows are a Breeze



Automated Windows are a breeze with the Altair® Powerlouvre® Window by Breezway.

- Sleek, sophisticated design with no bulky framing and ugly external bars or motors
- Available as componentry or as a fully rated complete window system
- Can be operated by wall switch and remote control
- Proven longevity from years of service

breezway®