



Ultra Pile Weatherseal

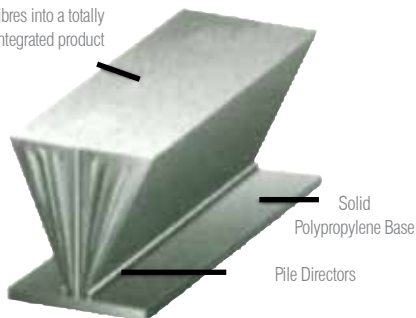


Ultra Fin Weatherseal



Ultrafab Weatherstrip

Ultrafab's patented process welds resilient fibres into a totally integrated product



Quality weatherstripping products and quality service are the driving forces behind Ultrafab today. With a long-standing commitment to R&D, Ultrafab products and processes have enabled the company to achieve leading edge market positions

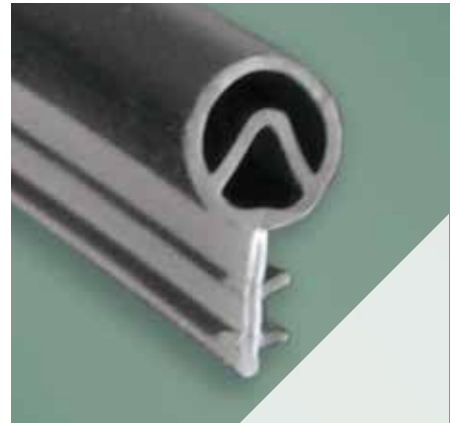
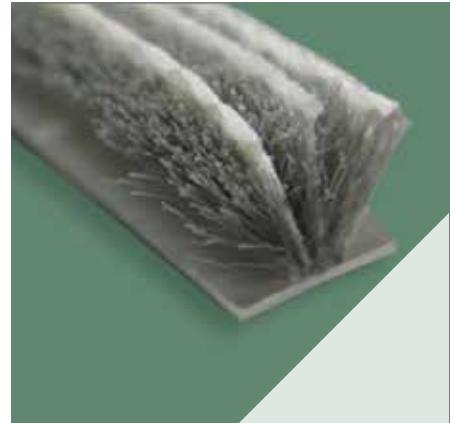
- Ultrafab products are easier to insert than other weatherseals saving time and labour
- Ultrafab products do not stretch, shrink or leave tails after insertion into lineals which means less waste and scrap for you
- Ultrafab's expertise is available. They can work together with Lincoln Sentry to custom design prototype products or configurations



Weatherstripping & Seals

Weatherseals

Ultra Pile Weatherseal	J.2
Ultra Fin Weatherseal	J.4
Metered Insertion Machine	J.5
Weatherseals	J.6
Fringe Pile	J.8
Pro-Lon Weatherseals	J.9
Bulb Weatherseals	J.10
Bottom Door Seals	J.11
Threshold Plates	J.15



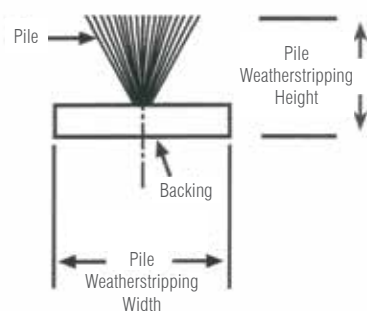
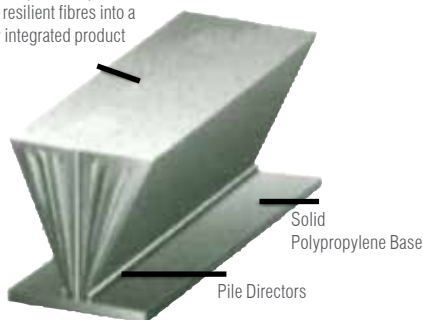
ULTRA PILE WEATHERSEAL

Features:

- High quality Weatherseal ultrasonically welded. Our Weatherseal do not stretch, shrink or leave tails after insertion into lineals
- Self-supporting pile, with built in 'pile directors', improves resiliency and reduces compression set
- Solid polypropylene backing inserts more easily, saving time and reducing waste
- Pile height and backing width are always uniform because of Ultrafab's unique non-woven manufacturing systems
- Ultra Pile weatherseals have a structural integrity and consistency which assures a tight seal against air and water infiltration
- No possibility of off-center pile that binds, breaks or stretches in an extrusion
- Ultrafab's unique ultrasonic welding assembles the fibres and backing into an integrated, unified assembly that won't break apart during fabrication or while in use
- Colour: Black



Ultrafab's patented process welds resilient fibres into a totally integrated product



Backing Width (mm)	Pile Height (mm)	Roll Length (m)	Pile Density	Backing Type	Code
4.8	3.00	914	Medium	Standard	3-540-300
4.8	3.50	914	Medium	Standard	3-540-350
4.8	3.75	914	Medium	Standard	3-540-375
4.8	4.00	914	Medium	Standard	3-540-400
4.8	4.25	914	Medium	Standard	3-540-425
4.8	4.50	914	Medium	Standard	3-540-450
4.8	4.75	914	Medium	Standard	3-540-475
4.8	5.00	914	Medium	Standard	3-540-500
4.8	5.25	914	Medium	Standard	3-540-525
4.8	5.50	914	Medium	Standard	3-540-550
4.8	6.00	914	Medium	Standard	3-540-600
4.8	6.50	914	Medium	Standard	3-540-650
4.8	7.50	762	Medium	Standard	3-540-750
4.8	8.50	762	Medium	Standard	3-540-850

6.9	3.50	914	High	Standard	3-541-350
6.9	4.00	914	High	Standard	3-541-400
6.9	4.25	762	High	Standard	3-541-425
6.9	4.50	762	High	Standard	3-541-450
6.9	5.00	762	High	Standard	3-541-500
6.9	5.25	762	High	Standard	3-541-525
6.9	5.50	762	High	Standard	3-541-550
6.9	5.75	762	High	Standard	3-541-575
6.9	6.00	762	High	Standard	3-541-600
6.9	6.50	762	High	Standard	3-541-650
6.9	7.50	762	High	Standard	3-541-750
6.9	12.75	152	High	Standard	3-541-775

9.0	9.00	610	High	Standard	3-546-900
-----	------	-----	------	----------	------------------

ULTRA PILE WEATHERSEAL



- Sold per metre

Backing Width (mm)	Pile Height (mm)	Pile Density	Backing Type	Code
4.8	3.00	Medium	Standard	3-540-300MT
4.8	3.50	Medium	Standard	3-540-350MT
4.8	4.00	Medium	Standard	3-540-400MT
4.8	5.00	Medium	Standard	3-540-500MT
6.9	4.50	High	Standard	3-541-450MT

Ultrafab's patented process welds resilient fibres into a totally integrated product



ULTRA PILE SELF ADHESIVE

- Self adhesive backing strip

Backing Width (mm)	Pile Height (mm)	Roll Length (m)	Pile Density	Backing Type	Code
4.8	4.25	914	Medium	Self Adhesive	3-542-425
4.8	5.00	914	Medium	Self Adhesive	3-542-500
4.8	5.25	762	High	Self Adhesive	3-542-525
4.8	5.00	Sold per metre	Medium	Self Adhesive	3-542-500MT

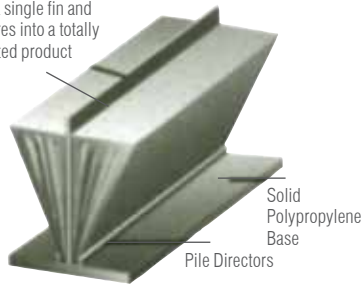
ULTRA FIN WEATHERSEAL



Features:

- The most popular Ultrafab Weatherseal product
- A single, pliable, barrier fin in a unified assembly with self-supporting pile, and built-in "pile directors"
- Provides an excellent seal with low opening force and low friction
- Solid polypropylene backing inserts more easily, saving time and reducing waste
- Pile height and backing width are always uniform because of Ultrafab's unique non-woven manufacturing systems
- Ultra Fin Weatherseal have the structural integrity and consistency which assures a tight seal and barrier against air and water infiltration
- No possibility of off-center pile that binds, breaks or stretches in an extrusion
- Ultrafab's unique ultrasonic welding assembles the fin, fibres and backing into an integrated, unified assembly that won't break apart during fabrication or while in use
- Fin location in centred
- Colour: Black

Ultrafab's patented process welds a single fin and pile fibres into a totally integrated product



Backing Width (mm)	Pile Height (mm)	Roll Length (m)	Pile Density	Backing Type	Code
4.8	7.25	914	Medium	Standard	3-543-425
4.8	5.50	914	Medium	Standard	3-543-550
4.8	6.50	914	Medium	Standard	3-543-650
4.8	7.50	762	Medium	Standard	3-543-750
4.8	8.50	762	Medium	Standard	3-543-850
6.9	4.50	762	High	Standard	3-544-450
6.9	5.25	762	High	Standard	3-544-525
6.9	5.75	762	High	Standard	3-544-575
6.9	7.50	762	High	Standard	3-544-750

METERED INSERTION MACHINE



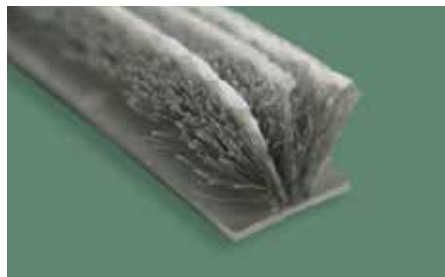
Features:

- Automatically inserts ULTRA Pile, ULTRA Fin or patented Ultra-Loc® Weatherseal into aluminium or PVC sash and frame lineals
- Problem-free filling at the rate of up to 2 mtr/ps
- Operates with electrical power and compressed air
- **Up to 70% increased productivity** versus hand pulling insertion
- Durable mechanical design assures safe, reliable operation
- Customisable for all sash and frame shapes
- Program in the desired length and it automatically fills the lineal
- Automatically cuts Weatherseal to a tolerance of 25mm +/-
- Built-in safety features include tamperproof fasteners and full guarding
- Training and technical assistance are included with every machine
- Leasing options available

Note: For more information, please contact your Lincoln Sentry Territory Manager.

Specifications	
Speed	2 metres per second
Profiles	All configurations
Pile Heights	3.6mm to 12.7mm
Backing Widths	4.7mm to 7.9mm
Air Pressure	80 psi clean dry air (condenser or dry must be used)
Weight	48 kg (unloaded)

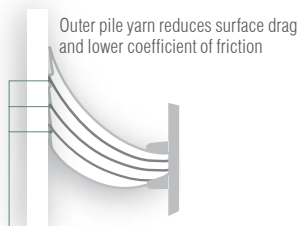
WEATHERSEALS



MULTI-FIN WEATHERSEALS

Features:

- Ultrafab's newest Multi-Fin product with external pile, allows for improved vertical fin stabilisation and sealing, which creates greater crush resistance when compressed for extended periods
- Ultrafab now has the capability to put the three or five fins in whatever configuration the customer wants, including three fins buried within the pile
- Ultrafab's new Five Fin option is designed for truly extreme applications that require superior sound abatement performance as well as air and water infiltration reduction
- Having the capability to place multiple fins in a wide range of positions allows the window designer to work with Ultrafab & Lincoln Sentry to develop a multi-fin pile seal that optimises the performance and aesthetics of the new or redesigned window or door
- Solid polypropylene backing inserts more easily, saving time and reducing waste
- Pile height and backing width are always uniform because of Ultrafab's unique non-woven manufacturing systems
- Multi-Fin weatherseals have a structural integrity and consistency which assures a tight seal against air and water infiltration
- No possibility of off-center pile that binds, breaks or stretches in an extrusion
- Ultrafab's unique ultrasonic welding assembles the fibres and backing into an integrated, unified assembly that won't break apart during fabrication or while in use
- **AVAILABLE ON SPECIAL REQUEST**



Outer pile yarn reduces surface drag and lower coefficient of friction
3 fins encapsulated by yarn provides superior sealing and compression set resistance

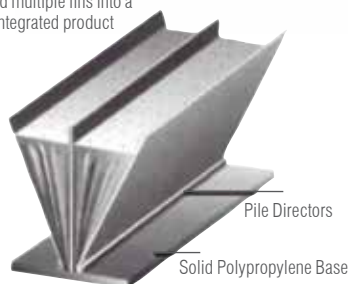


TRI-FIN WEATHERSEAL

Features:

- Ultrafab's ultimate pile weatherseal for minimising air and water infiltration
- Three pliable barrier fins integrated into an assembly with self-supporting pile, and built-in "pile directors", providing the ultimate seal in a pile and fin weatherseal
- Tests have indicated a 25% improvement in air infiltration compared to a single fin
- Solid polypropylene backing inserts more easily, saving time and reducing waste
- Pile height and backing width are always uniform because of Ultrafab's unique non-woven manufacturing systems
- Tri-Fin weatherseals have the structural integrity and consistency which assures a tight seal and barrier against air and water infiltration
- No possibility of off-center pile that binds, breaks or stretches in an extrusion
- Ultrafab's unique ultrasonic welding assembles the fin, fibres and backing into an integrated, unified assembly that won't break apart during fabrication or while in use
- **AVAILABLE ON SPECIAL REQUEST**

Ultrafab's patented process can weld multiple fins into a totally integrated product

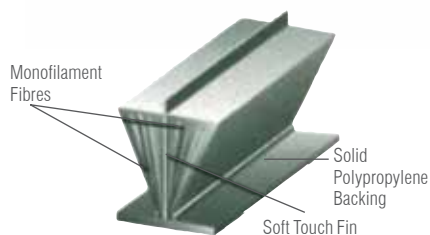


SOFT TOUCH FIN WEATHERSEAL

Features:

- Non-woven barrier protection provides an excellent Weatherseal with very low friction
- A soft, non-woven fabric fin in a unified assembly with self-supporting pile, and built-in 'pile/fin directors', provides an excellent seal with very low friction
- Solid polypropylene backing inserts more easily, saving time and reducing waste
- Pile height and backing width are always uniform because of Ultrafab's unique non-woven manufacturing systems
- Soft Touch Fin weatherseals have the structural integrity and consistency which assures a tight seal and barrier against air and water infiltration
- No possibility of off-center pile that binds, breaks or stretches in an extrusion
- Excellent for applications that require a quiet operating seal
- Ultrafab's unique ultrasonic welding assembles the fin, fibres and backing into an integrated, unified assembly that won't break apart during fabrication or while in use
- **AVAILABLE ON SPECIAL REQUEST**

Monofilament Fibres



WEATHERSEALS

ULTRA-REACH FIN WEATHERSEAL



Features:

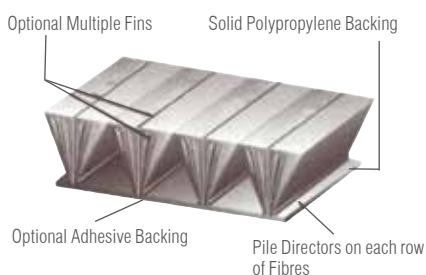
- Ultra-Long, Ultra-Reach angled fin seal
- A single pliable barrier fin seal in a unified assembly with self-supporting pile and built-in "pile directors", provides an excellent seal with low opening force and low friction
- Solid polypropylene backing inserts more easily, saving time and reducing waste
- Pile height and backing width are always uniform because of Ultrafab's unique non-woven manufacturing systems
- Ultra-Reach fin seals have the structural integrity and consistency which assures a tight seal and barrier against air and water infiltration
- No possibility of off-center pile that binds, breaks or stretches in an extrusion
- Ultrafab's unique ultrasonic welding assembles the fin, fibres and backing into an integrated, unified assembly that won't break apart during fabrication or while in use
- **AVAILABLE ON SPECIAL REQUEST**

ULTRA PLUG WEATHERSEAL



Features:

- Ultrafab's ultimate air and water pile seal
- Multiple strips of pile weatherseal cut to size for your specific dust plug application
- Eliminates the need for costly metal-backed dust plugs
- Fins can be placed in any or all rows of pile for desired sealing performance
- Solid polypropylene and pile/fin directors provide a rigid base with no need for an additional metal backing
- Pile height and backing width are always uniform because of Ultrafab's unique non-woven manufacturing systems
- Ultra Plug dust plugs have the structural integrity and consistency which assures a tight seal and barrier against air and water infiltration
- Ultrafab's unique ultrasonic welding assembles the fin, fibres and backing into an integrated, unified assembly that won't break apart during fabrication or while in use
- **AVAILABLE ON SPECIAL REQUEST**



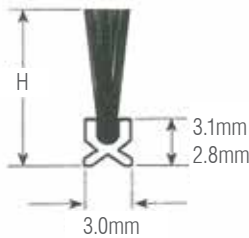
Weatherstripping & Seals



FRINGE PILE

Features:

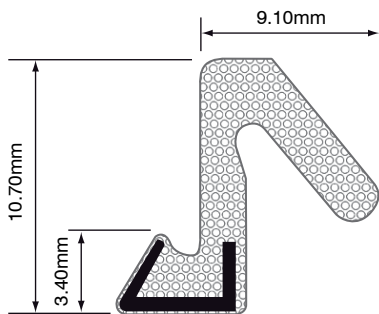
- Used as a perimeter weatherseal for aluminium shopfront systems and as a bug seal for security doors
- Shaped profile slides into extrusion or bug seal holder (below)
- Sold in full roll (500 metres) or per metre
- **3-555-011BL** to **3-555-028BL** sold per metre only



Backing Width (mm)	Pile Height (mm)	Roll Length (m)	Pile Density	Backing Type	Code
3.0	11.0	600	Very High	Cross	3-555-011B
3.0	13.0	500	Very High	Cross	3-555-013B
3.0	16.0	500	Very High	Cross	3-555-016B
3.0	20.0	250	Very High	Cross	3-555-020B
3.0	28.0	250	Very High	Cross	3-555-028B

Backing Width (mm)	Pile Height (mm)	Pile Density	Backing Type	Code
3.0	11.0	Very High	Cross	3-555-011BL
3.0	13.0	Very High	Cross	3-555-013BL
3.0	16.0	Very High	Cross	3-555-016BL
3.0	20.0	Very High	Cross	3-555-020BL
3.0	28.0	Very High	Cross	3-555-028BL

WEATHERSEALS



PRO-LON 21

Features:

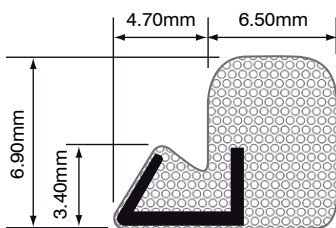
- Suits standard timber kerf and aluminium designed kerfs
- <15% to 50% working compression range
- Not affected by spirits based paints
- -40°C to +70°C temperature range
- 3-556-100MT sold per metre

Description	Length (m)	Colour	Qty	Code
Pro-Lon™ 21	250	Brown	Per Roll	3-556-100
Pro-Lon™ 21		Brown	Per Metre	3-556-100MT
Pro-Lon™ 21	250	Black	Per Roll	3-556-103

PRO-LON 77

Features:

- Suits standard timber kerf and aluminium designed kerfs
- <15% to 50% working compression range
- Not affected by spirits based paints
- -40°C to +70°C temperature range

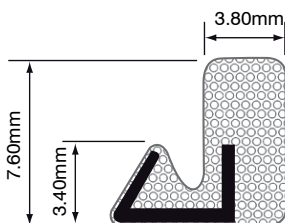


Description	Length (m)	Colour	Qty	Code
Pro-Lon™ 77 (63)	300	Brown	Per Roll	3-556-105

PRO-LON 48

Features:

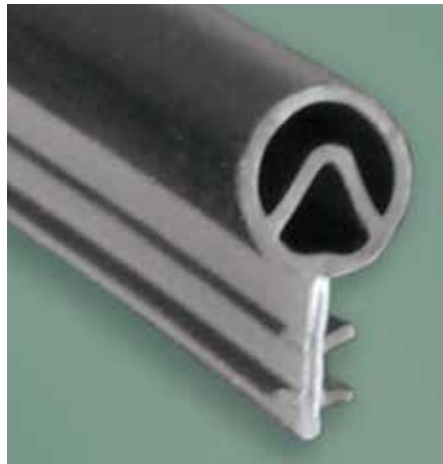
- Suits standard timber kerf and aluminium designed kerfs
- <15% to 50% working compression range
- Not affected by spirits based paints
- -40°C to +70°C temperature range
- 3-556-111MT sold per metre



Description	Length (m)	Colour	Qty	Code
Pro-Lon™ 48	350	Brown	Per Roll	3-556-111
Pro-Lon™ 48		Brown	Per Metre	3-556-111MT

Weatherstripping & Seals

BULB WEATHERSEALS



MULTI-HOLLOW BULB SEALS



Features:

- The multi hollow bulb (MHB) seal line utilises the latest technology in thermal plastic elastomers, and offers both the low closing force of a hollow bulb seal and the long term resiliency of a foam filled seal
- The new MHB seal offers a price point between traditional hollow bulb seals and foam filled seals
- The strategic placement of a bulb inside a bulb creates a multi-chambered structure when the bulb is in a compressed state (see figure 1). The three chambers that are created make for improved thermal and sound abatement properties over standard hollow bulb seals
- During the early stages of compression the MHB seal requires minimal closing force. At the later stages of compression the outer bulb makes contact with the inner bulb and closing forces build rapidly to provide excellent sealing pressure against the mating surface
- This high level of sealing pressure is what makes the seal extremely effective against air and water infiltration
- MHB seals can be fine tuned for specific applications by adjusting the relationship between the inner and outer bulbs. Designers can "dial in" the preferred closing force and seal pressure created at final compression point
- MHB seals can be produced with either a T-Slot or Kerf backing
- Seals can also be produced with a low friction surface on the critical contact areas for sliding and tilting applications
- The rigid or base portion of the seal can be manufactured with talc-filled materials to reduce stretching during insertion or expansion and contraction in demanding applications
- Product is also heat weldable and fully recyclable

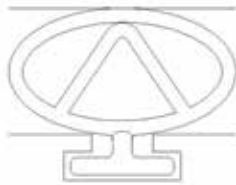


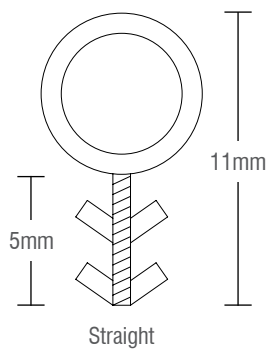
Figure 1

AVAILABLE ON SPECIAL REQUEST

CO-EXTRUDED BULB SEALS

Features:

- Co-extruded santoprene seal with rigid back for ease of insertion into saw cut
- Soft bulb that seals against window sash
- Suits timber window and door frames (plain or rebated)

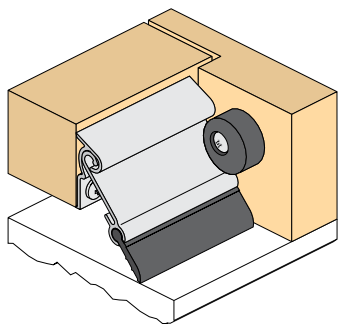


Description	Length (m)	Colour	Qty	Code
Bulb Seal - Straight 6mm	200	Cedar Brown	Per Roll	3-556-1785

Weatherstripping & Seals



BOTTOM DOOR SEALS

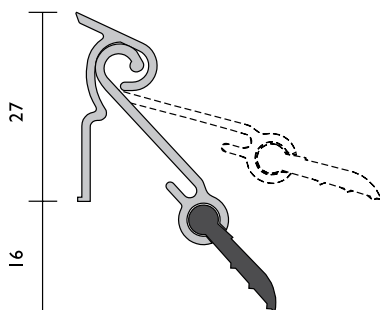


RP3

A cam activated, lifting action, automatic door bottom seal. It is quick and easy to install without cutting or removing the door and uses concealed fasteners. This D.I.Y product has been granted an Australian Design Award. Ideal for residential and light commercial applications such as motels and retirement villages.

RP3 has been tested for durability 1,000,000 cycles, completed without failure.

Location:	Door bottom of single inward opening (butt hinged) single door only
Min/Max Gap:	Up to 16mm
Seal Lengths:	914mm
Standard Finish:	Clear Anodised, Bronze
Fixing Method:	Zinc plated, cross recess head S.T. screws of the appropriate size are supplied Fixing holes are pre-slotted
Seal:	Black
Replacement Seal:	RP303



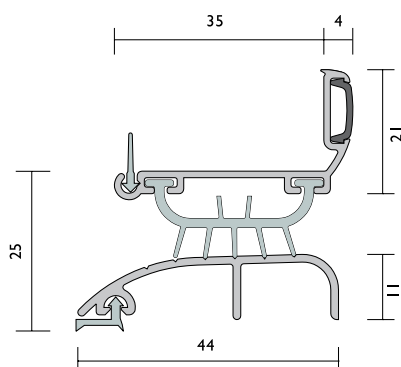
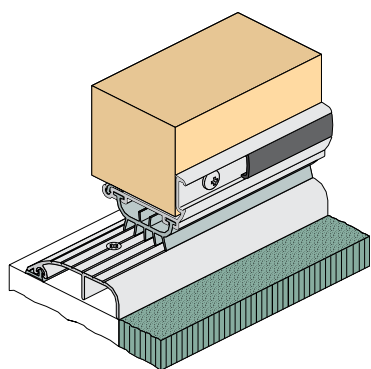
Finish	Length (mm)	Code
Clear Anodised	914	3-558-303
Bronze	914	3-558-303BZ

RP4

A storm proof door bottom seal that is used in situations where maximum weather protection is required. The multi blade seal defies rain infiltration.

RP4 can be fitted to the square cut bottom of a door without removing the door, provided there is a gap of 25mm under the door before the seal is installed. It is quick and easy to fit to both door and sill.

The sealing section is slotted for adjustment.

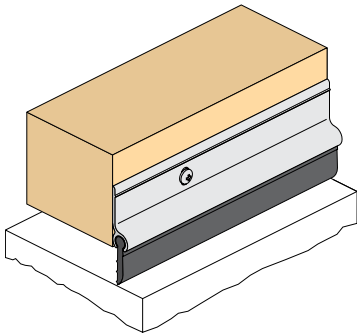


Location:	Door bottom and sill of single and double butt hinged doors
Min/Max Gap:	23mm/25mm
Seal Lengths:	914mm (250mm increments to 5000mm, and unit sizes available)
Standard Finish:	Clear Anodised (Bronze and Bright Gold available on request)
Fixing Method:	Zinc plated, cross recess head S.T. screws of the appropriate size and colour are supplied
Seal Material:	Grey PVC
Replacement Seal:	RP404
Replacement Gaskets:	RP404A, RP404B and RP423

Finish	Length (mm)	Code
Clear Anodised - Complete	914	3-558-304
Clear Anodised - Top Portion	1750	3-558-304T



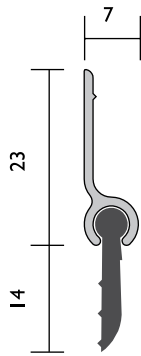
BOTTOM DOOR SEALS



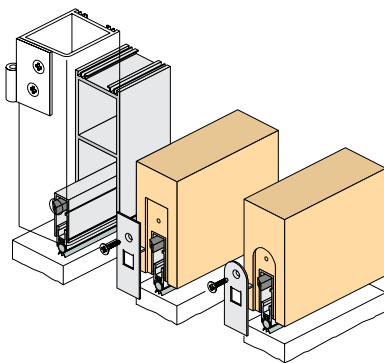
RP5

A flexible EPDM weatherstrip sweep seal that fits to the bottom of doors. It is ideal for screen doors and sash windows to prevent insects from entering up the face of the glass. It is quick and easy to install to the door bottom, being fitted without removing the door. It is also ideal for tilt-up doors.

Location:	Door bottoms, sash windows. Around stiles of tilt-up doors
Min/Max Gap:	Up to 15mm (user determined)
Seal Lengths:	920mm (250mm increments to 5000mm, and unit sizes available)
Standard Finish:	Clear Anodised (Bronze on request)
Fixing Method:	Zinc plated, cross recess head S.T. screws of the appropriate size and colour are supplied
Seal Material:	Black EPDM
Used in conjunction:	Threshold RP82



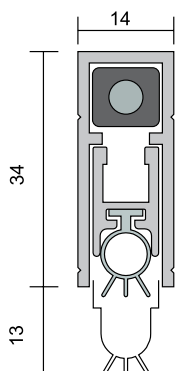
Finish	Length (mm)	Code
Clear Anodised	914	3-558-302



RP8

A concealed automatic door bottom seal which is spring loaded to lift clear of the floor as soon as the door leaf is opened by a few millimetres. Mounted into a 15mm x 34mm groove that has been morticed into the bottom rail of the door, it is operated automatically by pressure against the door jamb on its adjusting screw. When used as a system in acoustic sealing, this self levelling seal has been shown to be an effective acoustic seal. The RP8 can be also fitted into the bottom rail of an aluminium door by the fabricator. RP8 has been tested for durability 1,000,000 cycles completed without failure.

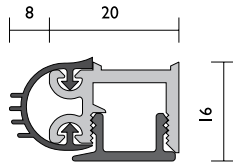
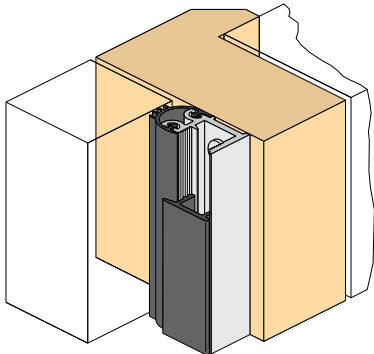
Location:	Single and double, butt hinged doors
Min/Max Gap:	3mm/13mm
Seal Lengths:	380mm, 600mm, 914mm, 1070mm, 1220mm (max). Seal cuts back to exact size (250mm increments to 5000mm, and unit sizes available)
Standard Finish:	Clear Anodised (Bronze on request)
Fixing Method:	Concealed, with supporting colour matched stainless steel escutcheon plates Screws supplied
Seal Material:	Grey PVC
Replacement Seal:	RP408
Adjustment:	Has screw for sealing action adjustment
Optional:	Stainless steel Rounded Escutcheon plate RP82CP2 (Clear) RP8BP2 (Bronze)
Escutcheon Plate Dimensions:	Rounded: 22mm wide, 57 mm high, (Ø22 router bit) 1.2mm thick Rectangular: 22mm wide, 60mm high, 1.2mm thick



'Si' Option available (RP8Si) to meet AS/NZ 1530.7 & 150 CD 5925-1 fire rating usage for Ambient & Medium temperature air leakage.

Finish	Length (mm)	Code
Clear Anodised	914	3-558-308

BOTTOM DOOR SEALS



RP10

A neat compact door stop frame seal which has proven to be an effective acoustic seal when tested in accordance with BS2750 and ISO140.3 It is quick and easy to install onto the door frame as a door stop. It is adjustable, by concealed fixing slots, for a precision fit.

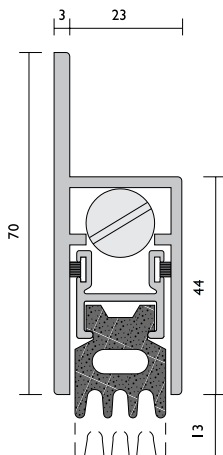
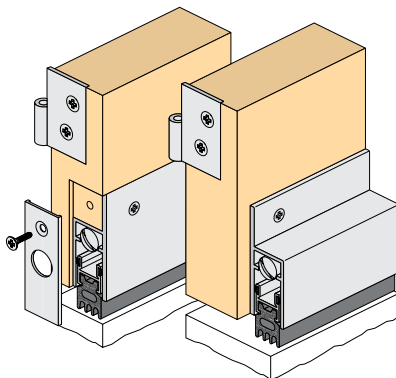
The multi blade seal considerably reduces the leakage of noise and air movement. The minimum deflection of the sealing fins creates maximum efficiency, offering a large tolerance for door movement over time. The seal can be mitred or butt jointed to give an integrated aesthetic appearance.

Note: If fixing to rebated frames of single doors, specify a long backset door latch.

- Location:** Head and jambs of single or double broad butt hinged doors
- Min/Max Gap:** 0mm/10mm
- Seal Lengths:** Single Doorsets - 1 x 1000, 2 x 2100 Double Doorsets - 3 x 2100 (Long Doorsets and Cut To Size) (250mm increments to 5000mm, and unit sizes available)
- Standard Finish:** Clear Anodised (Bronze on request)
- Fixing Method:** Zinc plated, cross recess head S.T. screws of the appropriate size are supplied. Fixing holes are pre-drilled and are slotted to allow the seals to be fitted accurately and to allow adjustments to be made for building movement
- Seal Material:** Flexible PVC Charcoal
- Replacement Seal:** RP410
- Used in conjunction:** Raven Door Bottom Seal, Astragals and Thresholds

Type	Length (mm)	Code
Double Doorsets	3 x 2100	3-558-310D
Single Doorsets	2 x 2100 1 x 1000	3-558-310S

RP38



A heavy duty automatic door bottom seal which is spring loaded to lift clear of the floor as soon as the door leaf is opened by a few millimetres. The seal is operated automatically by pressure against the door jamb on the adjusting screw. It seals when the door closes and retracts automatically when door is opened. It is self levelling. This aesthetic seal, incorporating a kick plate, is installed into a solid core door in a semi-morticed manner. It is adjustable for left and right handed operation. When semi morticing RP38 into double doors that require rebated meeting stiles, specify 50mm minimum door thickness. With plain meeting stiles, specify 40mm minimum thickness. RP38 has been tested for durability - 1,000,000 cycles completed without failure. It has also been independently tested in accordance with BS2750, and meets smoke leakage performance requirement of BS5588 when tested in accordance with BS476 Pt 31.1.

- Location:** Single and double butt hinged door bottoms
- Min/Max Gap:** Up to 13mm
- Seal Lengths:** 914mm, 1070mm, 1220mm (250mm increments to 5000mm, and unit sizes available)
- Standard Finish:** Clear Anodised (Bronze available on request)
- Fixing Method:** Zinc plated, cross recess head S.T. screws of the appropriate size and colour are supplied. Semi morticed or face mount option. Escutcheon plates provided for semi morticed installation
- Seal Material:** Black EPDM sponge
- Replacement Seal:** RP338
- Adjustment:** Has screw for sealing action adjustment

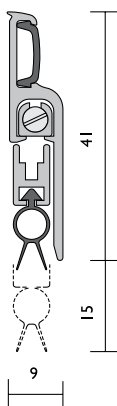
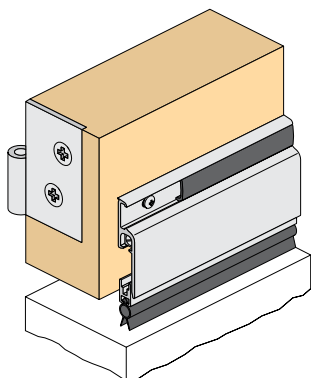


RP38Si has been fire tested to AS 1530.4 AS/NZS 1905.1. Also tested to AS/NZS 1530.7 & ISO CD 5925-1 for Ambient and Medium temperature air leakage.

Finish	Length (mm)	Code
Clear Anodised	914	3-558-383
Clear Anodised	1070	3-558-3836
Clear Anodised	1220	3-558-384

Weatherstripping & Seals

BOTTOM DOOR SEALS



RP60



A face mounted automatic door bottom seal which is spring loaded to lift clear of the floor as soon as the door leaf is opened by a few millimetres. It is operated automatically by pressure against the door jamb on its adjusting screw, and it incorporates concealed fixings.

RP60 has been tested for durability - 500,000 cycles, completed without failure.

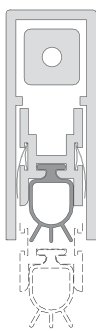
- Location:** Single or double butt hinged doors
- Min/Max Gap:** 3mm/15mm
- Seal Length:** 914mm only (250mm increments to 5000mm, and unit sizes available)
- Standard Finish:** Clear Anodised (Bronze and Bright Gold available on request)
- Fixing Method:** Zinc plated, cross recess head S.T. screws of the appropriate size are supplied
Fixing holes are slotted with push in cover strip
- Seal Material:** TPR (black)
- Replacement Seal:** RP460
- Used in conjunction:** Threshold plates RP13, RP82, frame seals
- Adjustment:** Has screw for seal action adjustment. Self levelling

Finish	Length (mm)	Code
Clear Anodised	914	3-558-603

LORIENT IS8010SI



A concealed automatic door bottom seal which is morticed into the bottom edge of single action doors. It operates automatically by a spring loaded mechanism which lifts the seal clear off the floor as soon as the door is opened.

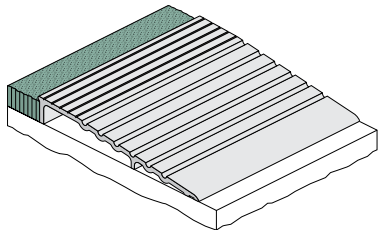


Description	Length (mm)	Code
IS8010SI	820	3-559-108
IS8010SI	915	3-559-109
IS8010SI	1070	3-559-110

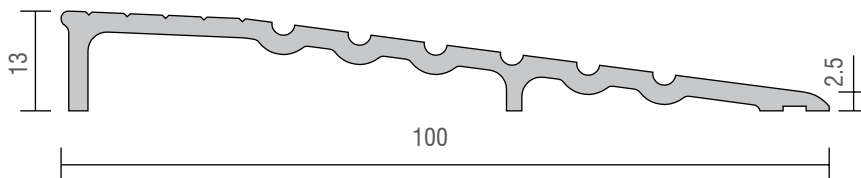
THRESHOLD PLATES

RP77

A heavy duty door threshold that conforms to Australian standard AS1428.1 for disabled access and BCA D3 D3.2. The ribbed extrusions can be positioned back to back to provide a two way threshold ramp.



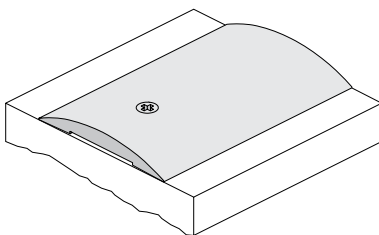
- Location:** Door sill or used to provide a ramp frame for internal door mats
- Seal Lengths:** 3m (Other lengths available on request in 250mm increments to 5000mm)
- Standard Finish:** Clear Anodised (Bronze available on request)
- Fixing Method:** Zinc plated, cross recess head CSK S.T. screws of the appropriate size and colour are supplied
- Used in conjunction:** Raven Door bottom seals



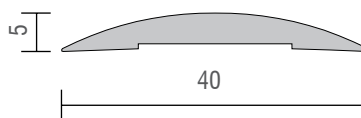
Finish	Length (m)	Code
Clear Anodised	3	3-558-677

RP82

A low profile threshold plate used in conjunction with door bottom seals to prevent rain, draught and smoke infiltration. Conforms to disabled access standard AS1428.1 and BCA D3 D3.2.



- Location:** Door sills
- Seal Lengths:** 3m (Other lengths available on request in 250mm increments to 5000mm)
- Standard Finish:** Clear Anodised (Bronze available on request)
- Fixing Method:** Zinc plated, cross recess head CSK S.T. screws of the appropriate size and colour are supplied, or it can be fastened with adhesive; specify 'undrilled'
- Used in conjunction:** Raven Door bottom seals



Finish	Length (m)	Code
Clear Anodised	3	3-558-682

