

Alpha Gold Series Drill Bits



Independent controlled testing has proven that the Alpha Gold Series drill bits outperform other drill bits on the market by up to 30%.

- 135° split point cuts faster and reduces wandering
- Titanium Nitride coating reduces heat and increases lubricity for extended life
- Fully ground M2 HSS increases drill life


alpha®

Storage & Handling

Vacuum Cup Lifters

Single Cup _____ M.2

Twin Cup _____ M.3

Carry Clamps _____ M.3

Handling Accessories _____ M.4

Buggies & Trolleys _____ M.5

A-Frames _____ M.6

Carry / Storage Cases _____ M.8



Storage & Handling



WOOD'S POWR-GRIP VACUUM CUP LIFTER - SINGLE CUP

- Pump action with visual monitoring of the vacuum at the tappet
- Lifter for glass, plastic, metal etc. with 204mm diameter suction pad
- Includes carry case

| Description | Lifting Capacity | Code |
|-------------------|------------------|-----------|
| Single Cup Lifter | 57kg | 2-408-450 |



VACUUM CUP LIFTER - SINGLE CUP



- For use on flat surfaces
- Solid, metal one piece body frame for durability and safety
- Minimum amount of time required to activate with the "Lexan pump"
- One touch release button
- 200mm diameter
- Includes carry case

| Description | Lifting Capacity | Code |
|-------------------|------------------|-----------|
| Single Cup Lifter | 180kg | 2-408-420 |



VACUUM CUP LIFTER - SINGLE CUP



- For use on flat surfaces
- Easy one hand operation
- Plastic body

| Description | Lifting Capacity | Code |
|-------------------|------------------|-----------|
| Single Cup Lifter | 40kg | 2-408-449 |



VACUUM CUP LIFTER - SINGLE CUP



- For use on flat surfaces
- Regulator adjusts to glass thickness
- Do not use on glass less than 5mm thick
- Aluminium body
- Lever action applies the vacuum

| Description | Lifting Capacity | Code |
|---------------------|------------------|-----------|
| Lever Action Lifter | 120kg | 2-408-401 |

Storage & Handling

VACUUM CUP LIFTER - TWIN CUP



- Suitable for handling all materials with smooth, flat, airtight surfaces such as glass, plastic, metal, coated wood, marble etc.
- Lever action applies the vacuum



| Description | Lifting Capacity | Code |
|-----------------------|------------------|------------------|
| Plastic Body Lifter | 80kg | 2-408-405 |
| Aluminium Body Lifter | 80kg | 2-408-406 |

SINGLE-HANDED CARRY CLAMPS

- Vulcanised rubber jaws to increase grip pressure
- Padded rubber handle for added comfort
- Grip range 0-25mm
- Lifting capacity 100kg
- Pad size 125mm x 250mm
- Can be used for carrying glass (minimum glass sheet weight 40kg)
- Sold in pairs



| Description | Grip Range | Code |
|----------------------------|------------|------------------|
| Single-Handed Carry Clamps | 0-25mm | 2-408-462 |

Storage & Handling



KNUCKLE SAVER



- 2 finger suction lifter
- Ideal for separating sheets
- 100mm diameter

| Description | Code |
|----------------|------------------|
| Suction Lifter | 2-408-503 |

TRANSIT PADS



- Pre-slit pads on a roll for ease of application (peel and stick)
- High visibility red
- Leaves no residue when removed
- 3,200 per roll

| Description | Size | Code |
|---------------|-------------|-----------------------|
| 2mm Thick Pad | 18mm x 16mm | 4-085-16182PAD |
| 4mm Thick Pad | 18mm x 16mm | 4-085-16184PAD |

CORK PROTECTIVE PADS



- Pre-slit pads on a roll for ease of application (peel and stick)
- Leaves no residue when removed
- 10,000 per roll

| Description | Size | Code |
|---------------|-------------|------------------|
| 2mm Thick Pad | 18mm x 18mm | 4-050-990 |
| 3mm Thick Pad | 18mm x 18mm | 4-050-994 |

Storage & Handling



BUGGY

- Footprint 635mm(W) x 1240mm(L); storage 920mm(H)
- Slim design for use in narrow areas on the jobsite including doorways
- Sturdy; prevents tipping by positioning the castors outside of the frame
- Thick rubber lined profile to prevent slippage
- Two ratchet tie down straps to secure your loads
- Pneumatic wheels for smoother transport on rough surfaces
- Heavy duty 5" polyurethane swivel castors with locking brakes
- Easy to assemble

| Description | Height | Load Capacity | Net Weight | Code |
|-------------|--------|---------------|------------|------------------|
| Buggy | 1160mm | 363kg | 47kg | 2-409-970 |



SELF LOCKING TROLLEY

- Heavy trolley with two pneumatic wheels 350mm x 100mm
- Self-locking jaws and extendable arm
- Grip range 10mm - 105mm
- Rubber is vulcanised to the bottom, sides and top of trolley to avoid chipping edges of the work piece
- M2 - 125mm heavy duty swivel castor for increased stability
- M3 - kick stand

| Description | Seat Length | Load Capacity | Net Weight | Code |
|-------------|-------------|---------------|------------|------------------|
| Trolley M2 | 600mm | 400kg | 34kg | 2-409-974 |
| Trolley M3 | 490mm | 400kg | 29kg | 2-409-971 |

4 WHEEL "SLIM JIM" TROLLEY



- Use to move your glass plate, solid surface, stone slabs or window frames around
- Joined by two solid wheels, two swivel wheels and a channel
- Rubber is vulcanised to the bottom and top sides of the channel to avoid chipping or scratching edges of finished work piece
- Maximum material width 80mm
- Solid wheels 205mm x 56mm
- Seat length 500mm

| Description | Load Capacity | Net. Weight | Code |
|----------------------------|---------------|-------------|------------------|
| 4 Wheel "Slim Jim" Trolley | 275kg | 17.5kg | 2-409-972 |

4 WHEEL "FAT BOY" TROLLEY



- Use to move your glass plate, solid surface, stone slabs or window frames around
- Joined by two solid wheels, two swivel wheels and a channel
- Rubber is vulcanised to the bottom and top sides of the channel to avoid chipping or scratching edges of finished work piece
- Maximum material width 170mm
- Solid wheels 205mm x 56mm
- Seat length 500mm

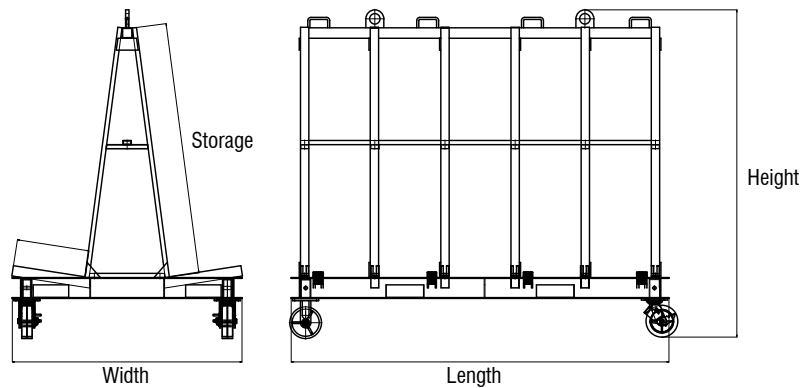
| Description | Load Capacity | Net. Weight | Code |
|---------------------------|---------------|-------------|------------------|
| 4 Wheel "Fat Boy" Trolley | 275kg | 20kg | 2-409-973 |

Storage & Handling



ONE STOP A-FRAME

- Designed for transporting and storing materials onsite or within the workshop
- Solid surface, glass or stone is placed on special rubber profile and secured with 4 ratchet securing bars, easy to assemble
- Frame features 2 eyelets to be picked up by an overhead crane
- Space provided on all underneath sides for forklift transport
- Load capacity without castors 2000 kgs
- Lift capacity 1000 kg



| Storage | Width | Length | Height | Net Weight | Code |
|---------|--------|--------|--------|------------|------------------|
| 900mm | 975mm | 1538mm | 1285mm | 148kg | 2-409-962 |
| 1200mm | 1100mm | 1810mm | 1585mm | 193kg | 2-409-963 |
| 1600mm | 1100mm | 1810mm | 1985mm | 215kg | 2-409-964 |



SINGLE SIDED A-FRAME

- Footprint 650mm(W) x 1810mm(L); storage 1200mm(H); 310mm leg
- Sturdy design to prevent tipping, saves space
- Place solid surface, glass or stone on the special rubber profile and secure with 2 ratchet securing bars, easy to assemble
- Rubber strips mounted on bottom and back support to prevent slippage
- Castor release pins allow for fast change from mobile to stationary
- Four removable castors included are made from durable polyurethane

| Description | Height | Load Capacity | Net Weight | Code |
|--------------|--------|---------------|------------|------------------|
| Single Sided | 1530mm | 1000kg | 115kg | 2-409-965 |



HIGH SIDED A-FRAME

- Footprint 1100mm(W) x 1820mm(L); storage 920mm(H); 440mm leg
- Sturdy design to prevent tipping
- Designed so that those loading avoid bending their back reducing the risk of injury
- Place solid surface, glass or stone on the special rubber profile
- Quick release mounting pins change the A-Frame from mobile to stationary
- Polyurethane castors for easy transport around the warehouse or on site

| Description | Height | Load Capacity | Net Weight | Code |
|-------------|--------|---------------|------------|------------------|
| High Sided | 1565mm | 500kg/Side | 112kg | 2-409-966 |

Storage & Handling

WORKSHOP A-FRAME



- Strong Workshop A-Frame constructed of 2" square steel tubing
- Holds up to 1363kg per side
- Angled timber blocks to protect materials
- Size: 100mm(W) x 1524mm(L); storage 1450mm(H), 470mm leg
- Secured to floor through bottom channel (fixings by others)
- Sold in a set of 2 (two)

| Description | Height | Load Cap. | Net Weight | Code |
|------------------|--------|-------------|------------|------------------|
| Workshop A-Frame | 1524mm | 1363kg/Side | 60kg/Set | 2-409-956 |

HEAVY DUTY TRUCK A-FRAME



- Constructed by two workshop A-Frames joined by 4 cross bars
- Comes with angled timber blocks; storage 1450mm(H), 470mm leg
- The sturdy structure is designed for picking up materials from one factory to another or to your worksite
- Easy to assemble

| Description | Height | Load Cap. | Net Weight | Code |
|--------------------------|--------|-------------|------------|------------------|
| Heavy Duty Truck A-Frame | 1524mm | 2727kg/Side | 87kg | 2-409-957 |

TRUCK A-FRAME



- Constructed by two workshop A-Frames joined by a cross bar
- Comes with angled timber blocks; storage 1450mm(H), 470mm leg
- The sturdy structure is designed for picking up smaller loads from one factory to another or to your worksite
- Easy to assemble

| Description | Height | Load Cap. | Net Weight | Code |
|---------------|--------|-------------|------------|------------------|
| Truck A-Frame | 1524mm | 2727kg/Side | 67kg | 2-409-958 |

Storage & Handling



EXACTAPAK 'MULTI CARRY CASE'

- Removable compartments in small case
- Inner lids hold contents in place when opening (see inset photo)
- Adjustable to suit a wide range of componentry and accessories
- Measurements exclude handle

| Size | Colour | Length | Width | Height | Code |
|-------|--------|--------|-------|--------|------------------|
| Small | Grey | 405mm | 180mm | 170mm | 2-400-101 |
| Large | Grey | 525mm | 320mm | 170mm | 2-400-100 |



SORTIMO STORAGE CASE

- 23 removable compartments
- Sturdy metal case
- Slim profile
- Measurements exclude handle

| Type | Length | Width | Height | Code |
|--------------|--------|-------|--------|------------------|
| Storage Case | 435mm | 330mm | 65mm | 2-400-105 |



SMART Multi-Tool

the smart answer



The new SMART Multi-Tool is the most versatile power tool available. Thanks to the oscillation technology, the SMART Multi-Tool can perform time consuming and difficult tasks effortlessly and with ease many times quicker than conventional methods.

Not only is it easy to use, it's incredibly safe; making it the ultimate must have power tool. For precision cutting, effortless scraping, precise grout removal, aggressive grinding, plus a lot more, the SMART Multi-Tool has a job to do in every home and on every building site.

SMART[®]
MULTI-TOOLS & ACCESSORIES
INNOVATIVE SOLUTIONS | BETTER RESULTS