



Finish with Style

with the Finista range



Finish your next project with style by integrating the new Finista range of products from Lincoln Sentry.

Finista is a range of stylish solutions for the kitchen, bathroom, wardrobe, laundry and office.

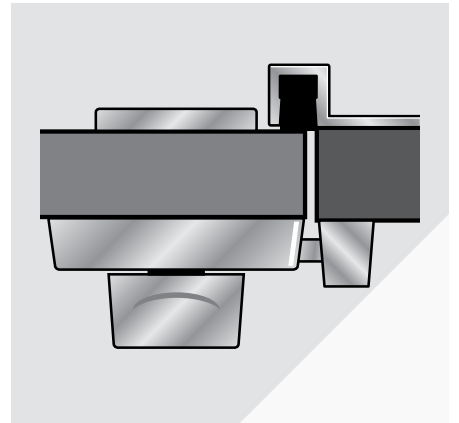
This new range of Finista products have been sourced from all over the globe and will allow you to offer your customers a selection of products that will “finish with style” your next project.

Finista
FINISH WITH STYLE

Washroom Partition Hardware

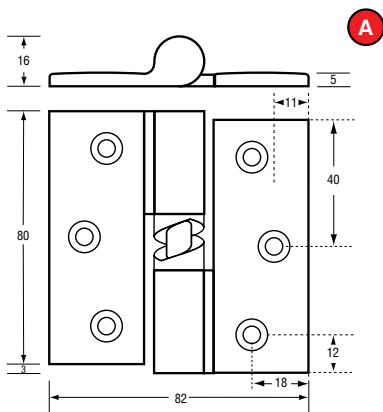
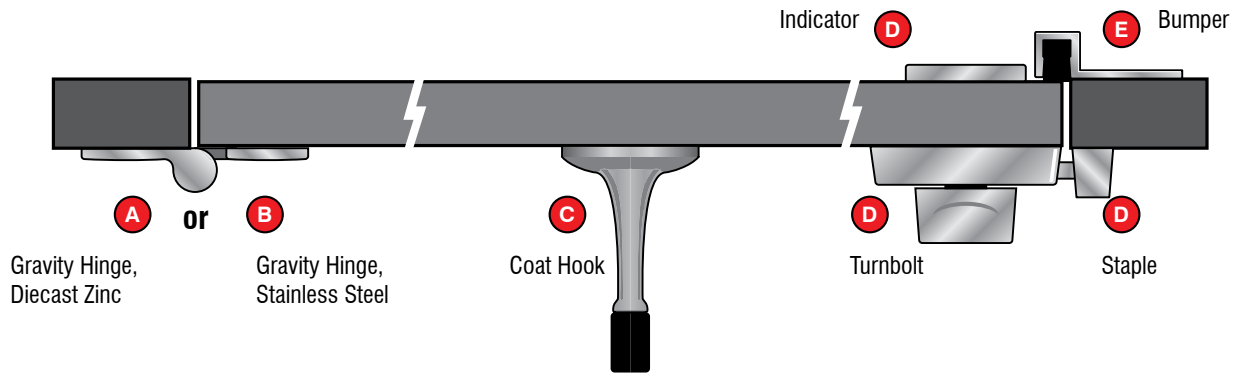
Washroom Partition Fittings

Screw Fix _____	P.2
Bolt Through _____	P.4
Washroom Partition Fittings _____	P.6
Adjustable Stainless Steel Foot Assemblies _____	P.8



Washroom Partition Hardware

WASHROOM PARTITION FITTINGS - SCREW FIX

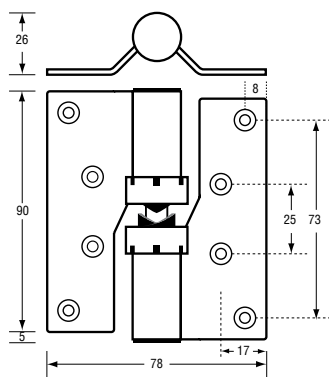


A

DIECAST ZINC GRAVITY HINGE SCREW FIX, HOLD OPEN

- Diecast zinc, stainless steel shaft, nylon inserts
- Satin chrome-plated finish
- Includes fixing screws
- Handing is determined from the inside. A left hand hinge is on the left hand side; A right hand hinge is on the right hand side (while standing inside the cubicle)
- Sold as an each

Type	Code
Right Hand Hinge	2-700-000
Left Hand Hinge	2-700-005



B

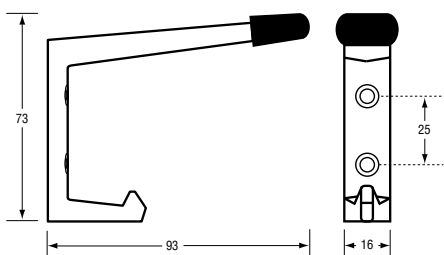
STAINLESS STEEL GRAVITY HINGE SCREW FIX, HOLD OPEN

- Satin Stainless steel, nylon inserts
- Satin chrome-plated finish
- Includes fixing screws
- Handing is determined from the inside. A left hand hinge is on the left hand side; A right hand hinge is on the right hand side (while standing inside the cubicle)
- Sold as an each

Type	Code
Right Hand Hinge	2-700-010
Left Hand Hinge	2-700-015

C

COAT HOOK

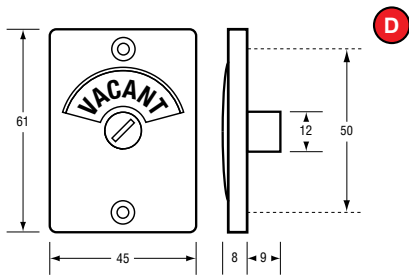


- Diecast zinc material
- Satin chrome-plated finish
- Includes fixing screws

Description	Code
Coat Hook	2-700-020

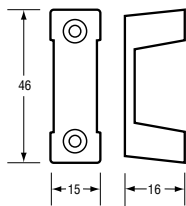
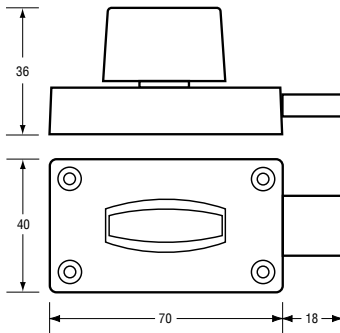
Washroom Partition Hardware

WASHROOM PARTITION FITTINGS - SCREW FIX



D STANDARD LATCH SET - SERIES 100 SCREW FIX

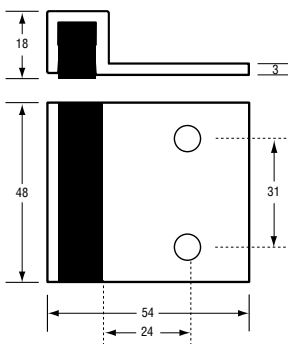
- Includes turnbolt, indicator and staple
- Diecast zinc material
- Satin chrome-plated finish
- Other turnbolt designs available on request (special order)
- Screw fix installation



Description	Code
Standard Latch Set - Screw Fix	2-700-025

E BUMPER

- Diecast zinc material
- Satin chrome-plated finish



Description	Code
Bumper	2-700-030

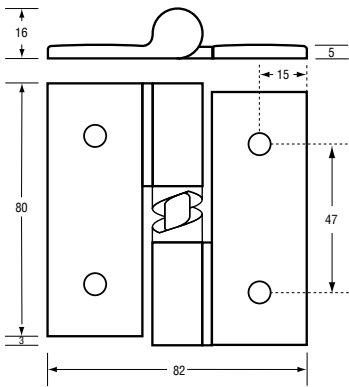
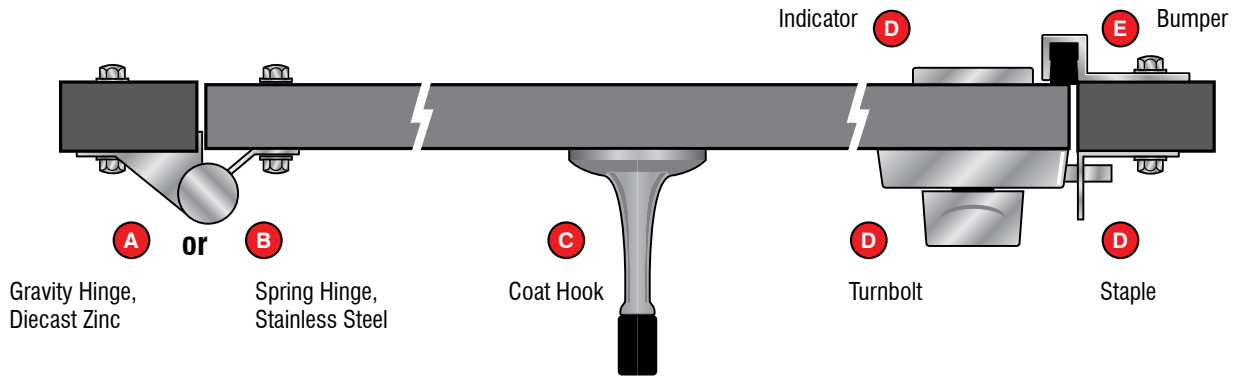
COMPLETE STANDARD PARTITION KIT - SCREW FIX

- Complete washroom partition set includes Gravity Hinge (pair), Coat Hook, Turnbolt, Indicator, Staple and Bumper.
- Handing is determined from the inside. A left hand kit has the hinge on the left hand side; A right hand kit has the hinge on the right hand side (while standing inside the cubicle)

Standard Partition Kit Screw Fix - Diecast Hinge	Type	Code
A + C + D + E	Right Hand	2-700-035
	Left Hand	2-700-040
Standard Partition Kit Screw Fix - Stainless Steel Hinge	Type	Code
B + C + D + E	Right Hand	2-700-045
	Left Hand	2-700-050

Washroom Partition Hardware

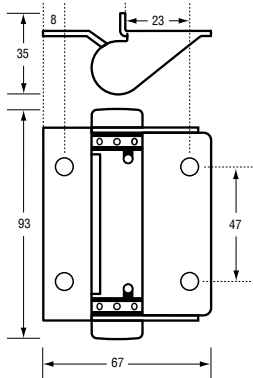
WASHROOM PARTITION FITTINGS - BOLT THROUGH



A DIECAST ZINC GRAVITY HINGE BOLT THROUGH, HOLD OPEN

- Diecast zinc, stainless steel shaft, nylon inserts
- Satin chrome-plated finish
- Handing is determined from the inside. A left hand hinge is on the left hand side; A right hand hinge is on the right hand side (while standing inside the cubicle)
- Sold as an each

Type	Code
Right Hand Hinge	2-700-060
Left Hand Hinge	2-700-065



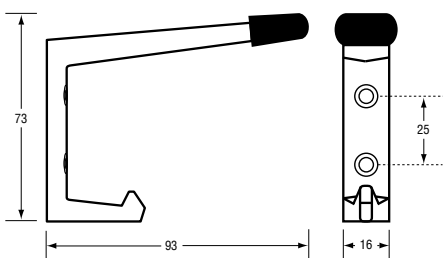
B STAINLESS STEEL SPRING HINGE BOLT THROUGH, HOLD OPEN

- Use for left and right hand application
- Stainless steel material
- Satin stainless steel finish
- Sold as an each

Type	Code
Spring Hinge	2-700-070

C COAT HOOK

- Diecast zinc material
- Satin chrome-plated finish
- Includes fixing screws

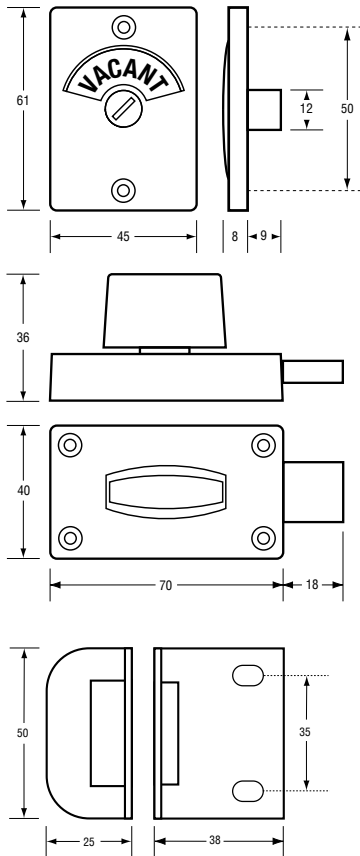


Description	Code
Coat Hook	2-700-020

Washroom Partition Hardware

WASHROOM PARTITION FITTINGS - BOLT THROUGH

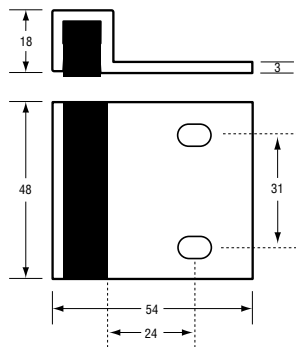
D STANDARD LATCH SET - SERIES 100 BOLT THROUGH



- Includes turnbolt, indicator and staple
- Diecast zinc material
- Satin chrome-plated finish
- Other turnbolt designs available on request (special order)
- Bolt through installation

Description	Code
Standard Latch Set - Bolt Through	2-700-027

E BUMPER



- Brass material
- Satin chrome-plated finish

Description	Code
Bumper	2-700-075

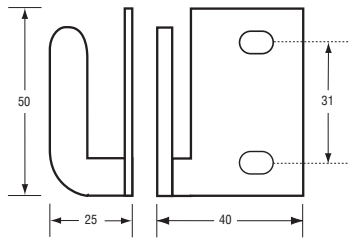
COMPLETE STANDARD PARTITION KIT - BOLT THROUGH

- Complete washroom partition set includes Gravity Hinge (pair), Coat Hook, Turnbolt, Indicator, Staple and Bumper.
- Handing is determined from the inside. A left hand kit has the hinge on the left hand side; A right hand kit has the hinge on the right hand side (while standing inside the cubicle)

Standard Partition Kit Bolt Through - Gravity Hinge	Type	Code
A + C + D + E	Right Hand	2-700-080
	Left Hand	2-700-085
Standard Partition Kit Bolt Through - Spring Hinge	Type	Code
B + C + D + E	Right and Left Hand	2-700-090

Washroom Partition Hardware

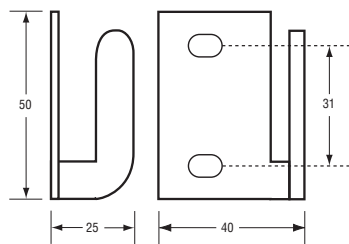
WASHROOM PARTITION FITTINGS



LIFT OFF STAPLE, LEFT HANDED

- For use with right hand gravity hinge, 2-700-000 or 2-700-060
- Brass material
- Satin chrome-plated finish

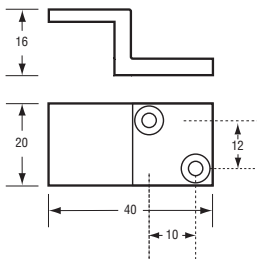
Description	Code
Left Handed Lift Off Staple - Brass Material	2-700-140



LIFT OFF STAPLE, RIGHT HANDED

- For use with left hand gravity hinge, 2-700-005 or 2-700-065
- Brass material
- Satin chrome-plated finish

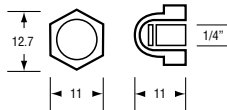
Description	Code
Right Handed Lift Off Staple - Brass Material	2-700-150



Z LIFT OFF STAPLE

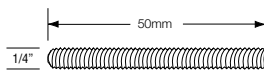
- Brass material
- Satin chrome-plated finish
- Screw fix

Description	Code
Z Lift Off Staple - Brass Material	2-700-130

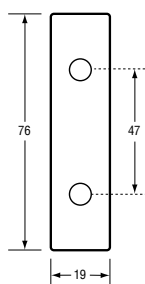


ACORN NUTS AND ALLTHREAD

- Acorn nut to suit 1/4" rod (Imperial BSW thread)
- Acorn nut sold per bag of 20
- Allthread Ø 1/4" x 50mm
- Allthread sold per bag of 10



Description	Material	Finish	Code
Acorn Nuts	Stainless Steel	Stainless Steel, Polished	2-700-340
Allthread	Stainless Steel	Zinc Plated	2-700-330



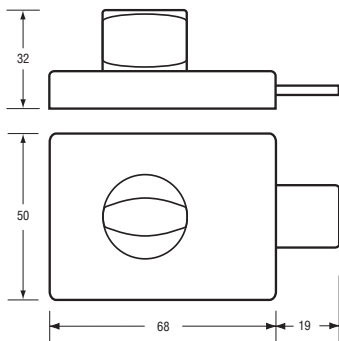
ADDITIONAL FACE PLATE

- 1mm thick for bolt through
- Hinge mounting
- Sold as set of 4

Description	Material	Code
Face Plate	Stainless Steel	2-700-160

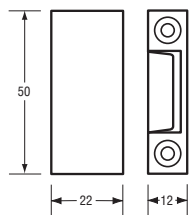
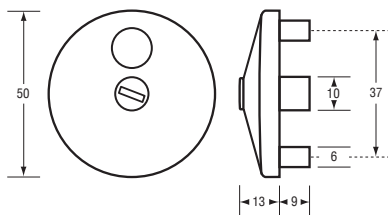
Washroom Partition Hardware

WASHROOM PARTITION FITTINGS



STANDARD LATCH SET - SERIES 300 SURFACE MOUNTED

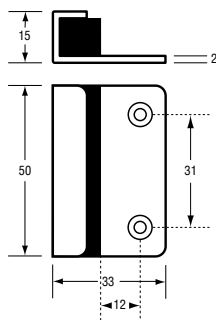
- Includes turnbolt, indicator and staple
- Indicator brass/satin chrome
- Turnbolt & Staple diecast zinc/satin chrome
- Satin chrome-plated finish
- Other turnbolt designs available on request (special order)



Description	Code
Standard Latch Set - Surface Mounted	2-700-028

EDGE MOUNTED BUMPER

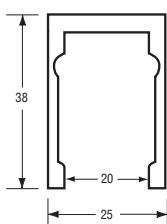
- Stainless steel



Description	Code
Edge Mounted Bumper	2-700-120

PARTITIONING CHANNEL

- To suit 18mm board

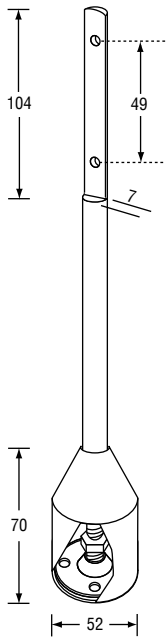


Description	Length	Code
AL48	1.8 Metres	2-700-165
AL48	3 Metres	2-700-163

Washroom Partition Hardware

ADJUSTABLE STAINLESS STEEL FOOT ASSEMBLIES

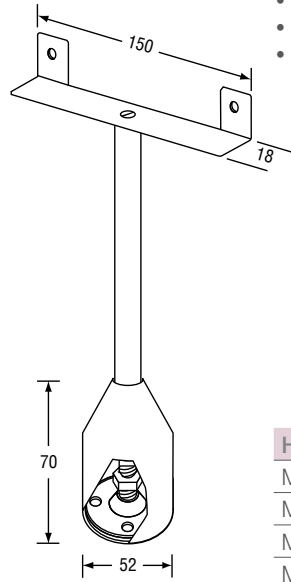
REBATED SHAFT FOOT (110 SERIES)



- Stainless steel
- Off floor system
- 50mm adjustment

Height Adjustments	Code
Min 125mm to Max 175mm	2-700-170
Min 175mm to Max 225mm	2-700-180
Min 225mm to Max 275mm	2-700-190
Min 275mm to Max 325mm	2-700-200

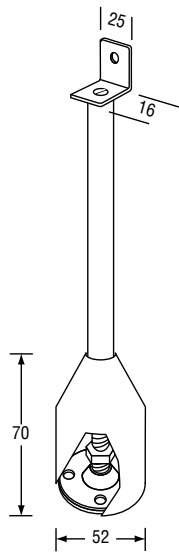
DOUBLE FIX FOOT (111 SERIES)



- Stainless steel
- Off floor system
- 50mm adjustment

Height Adjustments	Code
Min 125mm to Max 175mm	2-700-210
Min 175mm to Max 225mm	2-700-220
Min 225mm to Max 275mm	2-700-230
Min 275mm to Max 325mm	2-700-240

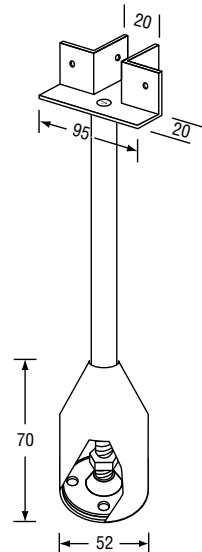
SINGLE FIX FOOT (112 SERIES)



- Stainless steel
- Off floor system
- 50mm adjustment

Height Adjustments	Code
Min 125mm to Max 175mm	2-700-250
Min 175mm to Max 225mm	2-700-260
Min 225mm to Max 275mm	2-700-270
Min 275mm to Max 325mm	2-700-280

DOUBLE FIX FOOT (122 SERIES)

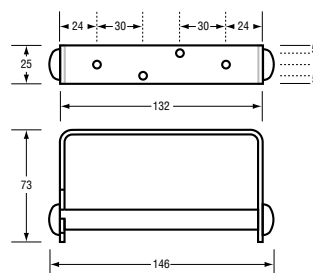


- Stainless steel
- To suit 18mm dividers only
- Off floor system
- 50mm adjustment

Height Adjustments	Code
Min 125mm to Max 175mm	2-700-290
Min 175mm to Max 225mm	2-700-300
Min 225mm to Max 275mm	2-700-310
Min 275mm to Max 325mm	2-700-320

TOILET ROLL HOLDER

- Stainless steel



Description	Code
Toilet Roll Holder	2-700-350



The right fastener to keep your business together



Lincoln Sentry is able to offer you a wide range of fasteners including screws, nails, staples, bolts and rivets in convenience sized cartons to allow for easy storage and identification. There is no job that one of Lincoln Sentry's fasteners can't help you with – from a countersunk chipboard screw to a stainless steel rivet, we have all jobs covered.

Next time you need to replenish your fasteners have a look at Section S in this catalogue and let Lincoln Sentry be your trusted supplier in all things screws, nails, staples, bolts and rivets.