

TRANS
& MIA
PRODU

SUPPORT MARINE PROJECTS





Industrial Products Division

road, rail, and marine



Lincoln Sentry Industrial Products Division offers a comprehensive range of foam adhesive, acoustic and thermal products, including slitting and die-cutting facilities for custom size bulk orders.

Also available is our range of gas-struts, compression locks and cam lock sets for the heavy vehicle bodymaking industry.

Ask us how we can help you today.



Transport & Marine Products

Fitment Guide _____	R.2
Standard Struts _____	R.3
Gas Strut Fittings _____	R.4
Compression Latches & Locks _____	R.6
Hinges _____	R.7
Truck Body Hardware & Overcentre Catches _____	R.8



Transport & Marine Products

FITMENT GUIDE

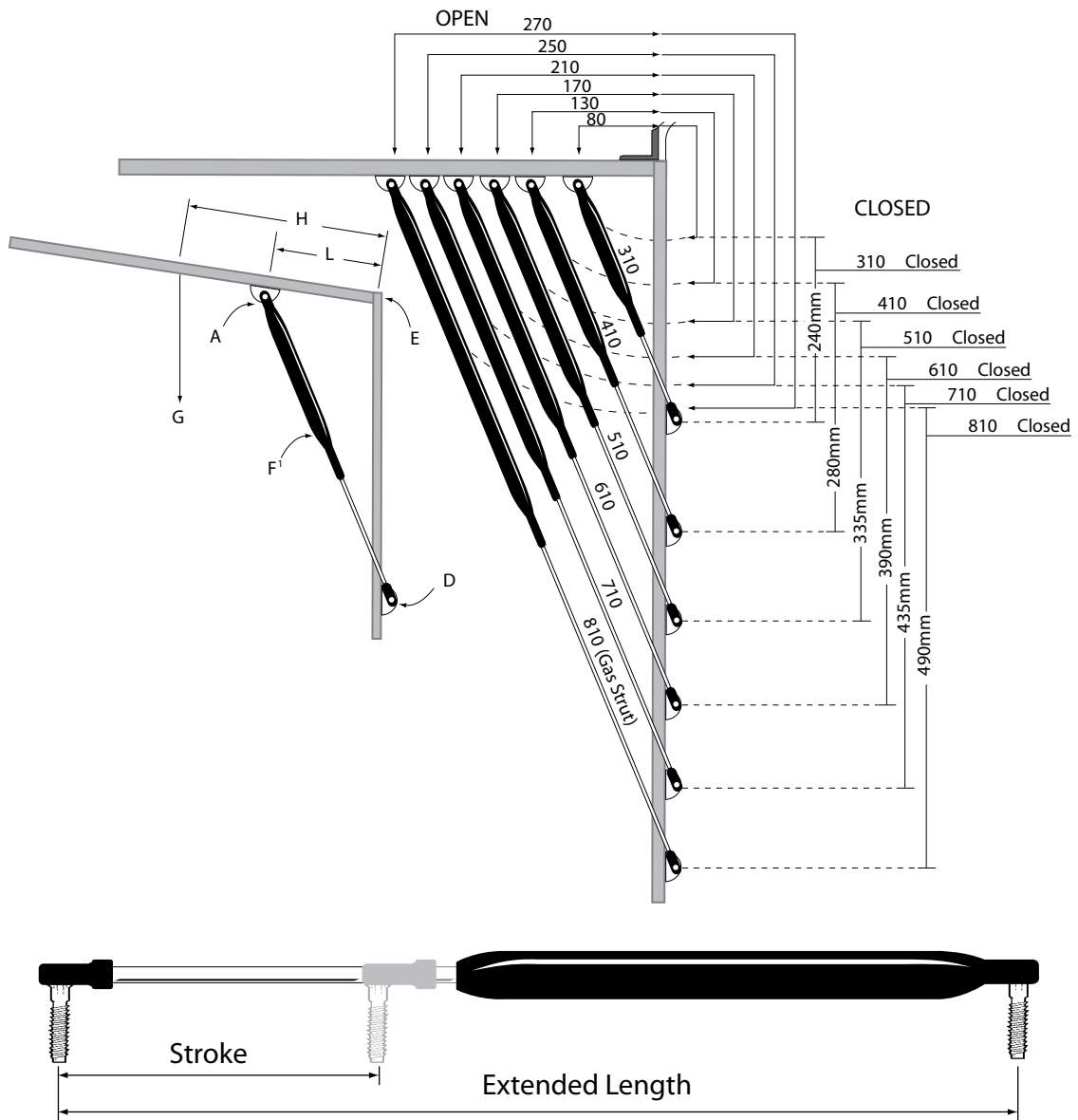
Formula suits door opening from vertical to horizontal only.

- A = Moving pivot
- D = Fix pivot
- E = Hinge point
- G = Weight of door in kg x 10 (Newtons)
- H = Half the depth of door
- F1 = Force required
- L = Distance from hinge E to moving pivot A

$$\text{Formula: } F1 = \frac{G \times H}{L} + 15\% \div \text{The number of gas struts required}$$

Special Note:

By reducing the measurement from point A to hinge point E by 20mm and the from point D to point E by 20mm, this will give you an extra 10° (degrees) lift. N.B. This is a guide only.



Transport & Marine Products

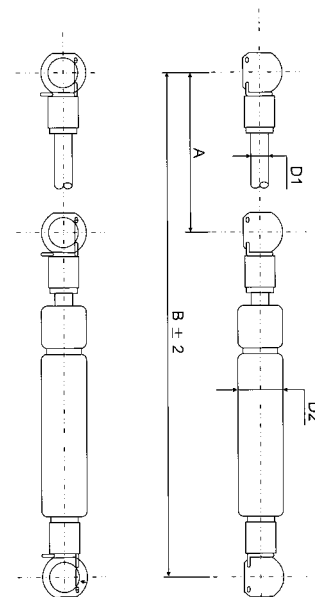
STANDARD STRUTS

FREE TYPE - BALL (SOCKET) STEEL SERIES

Features:

- Stock struts are pre-gassed at 100n/m
- Struts need to be gassed to your requirements
- Gassed struts are non-returnable

Length	Stroke	Shaft Diameter	Body Diameter	Pressure	Code
B mm	A mm	D1 mm	D2 mm	F1 (n)	
240	80	8	18.5	100	5002-240-100
305	100	8	18.5	200	5002-305-200-M
330	125	8	18.5	100	5002-330-100
375	145	8	18.5	100	5002-375-100
405	165	8	18.5	100	5002-405-100
430	177	8	18.5	100	5002-430-100
485	200	8	18.5	150	5002-485-150
500	210	8	18.5	100	5002-500-100
525	225	8	18.5	100	5002-525-100
575	250	8	18.5	100	5002-575-100
630	275	8	18.5	100	5002-630-100
500	210	10	22.5	100	5003-500-100-M
525	220	10	22.5	100	5003-525-100-M
595	250	10	22.5	100	5003-595-100-M
670	280	10	22.5	100	5003-670-100-M
700	300	10	22.5	100	5003-700-100-M
750	330	10	22.5	100	5003-750-100-M
795	350	10	22.5	100	5003-795-100-M
815	350	10	22.5	100	5003-815-100-M
830	370	10	22.5	100	5003-830-100-M
900	400	10	22.5	100	5003-900-100-M
500	210	12.5	22.5	700	5004-500-700-MA
595	250	12.5	28	100	5004-595-100-M
700	300	12.5	28	100	5004-700-100-M
830	370	12.5	28	100	5004-830-100-M
900	400	12.5	28	100	5004-900-100-M



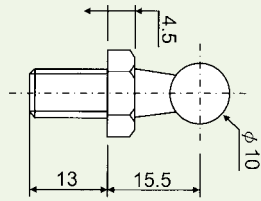
GENERAL ADVICE FOR GAS STRUT INSTALLATION

1. Gas struts are designed for use between -20°C and +80°C.
2. Gas struts are filled with pure nitrogen, which is an inert gas, does not burn and is not poisonous.
3. Gas strut contents are under high pressure, **DO NOT OPEN OR HEAT UP!**
4. Gas struts are not to be twisted, avoid lateral, tilting or side forces.
5. It is recommended that gas struts are installed with the piston rod facing down when in the closed position.
6. Gas struts should not be exposed to wet, dusty or salty environments.
7. The gas strut is maintenance free. Do not grease or oil the piston rod.
8. No foreign matter such as paint or adhesive tapes should be attached to the piston rod.
9. Lincoln Sentry cannot advise the size or pressure requirement for any given application. If this service is needed a customer service member can advise of a retailer in your area who may be able to supply the struts and fit on site.
10. Force tolerance is between +40N / -20N or 5% of the force indicated. Actual force of a gas strut depends on temperature, for each 10°C change around 3%.
11. The gas strut may be damaged when tension load goes beyond recommended limits. Thus a high tension load should not be imposed.
12. When the above instructions are followed carefully, installed properly and the unit is used under regular conditions, the duration gas strut works for 30,000 cycles or 12 months from the date of purchase.

Warning: As Lincoln Sentry is unable to determine all applications in which a part may be placed, it is the user's responsibility to determine the suitability of the part for its intended use.

Transport & Marine Products

GAS STRUT FITTINGS

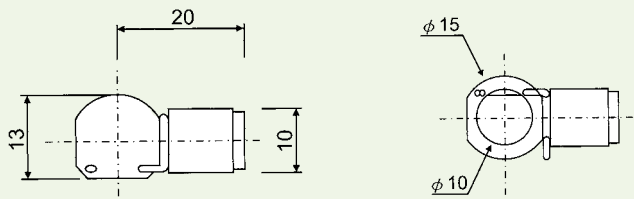


BALL STUD

- 10mm Ø ball

Code

5-000-10

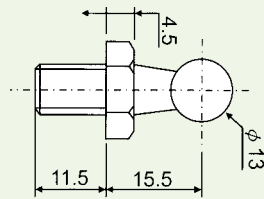


END SOCKET

- Suits 5002 Series struts (8mm shaft)

Code

5-000-10 SM

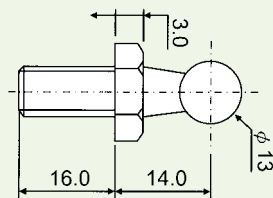


BALL STUD

- 13mm Ø ball

Code

5-000-13 SM

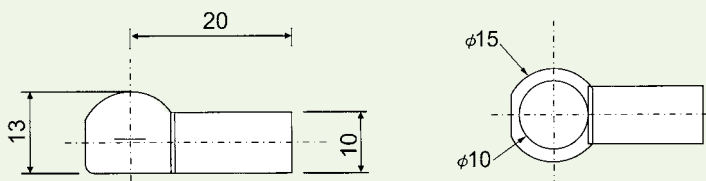


BALL STUD

- 13mm Ø ball

Code

5-000-13L



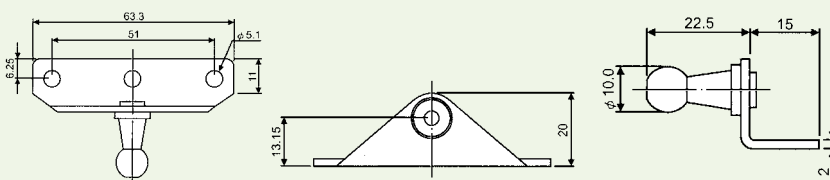
END SOCKET

Features:

- Metal end
- 8mm thread
- Suits 5003 & 5004 Series struts (10 or 12mm shaft)

Code

5-000-10-SM8



EXTERNAL BALL BRACKET

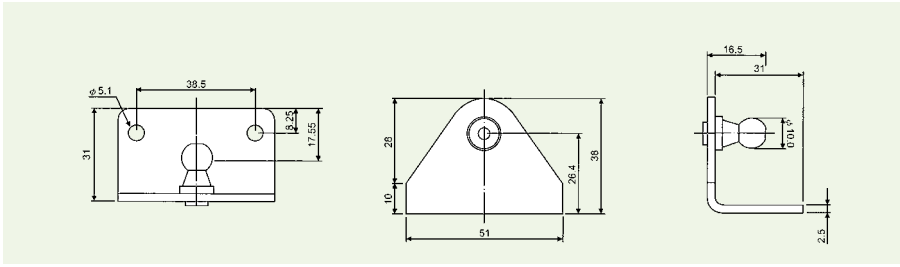
- 10mm Ø ball

Code

5-000-B01

Transport & Marine Products

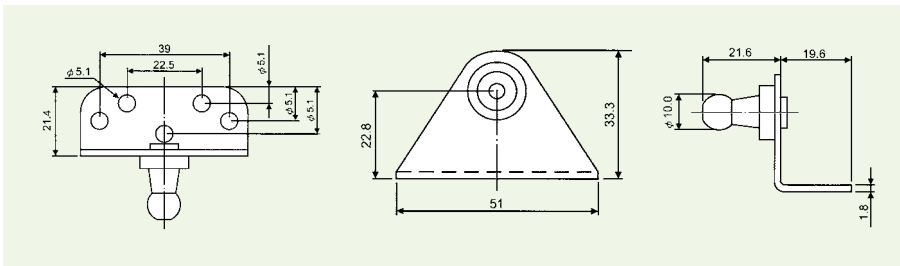
GAS STRUT FITTINGS



INTERNAL BALL BRACKET

- 10mm Ø ball

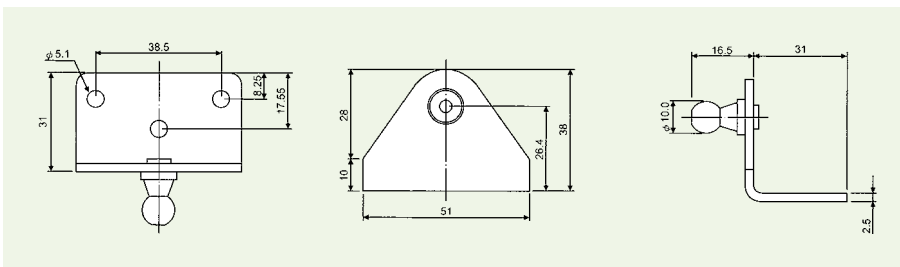
Code
5-000-B02



EXTERNAL BALL BRACKET

- 10mm Ø ball

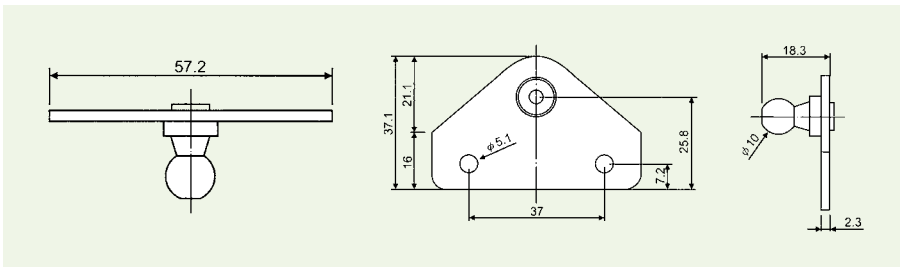
Code
5-000-B03



EXTERNAL BALL BRACKET

- 10mm Ø ball

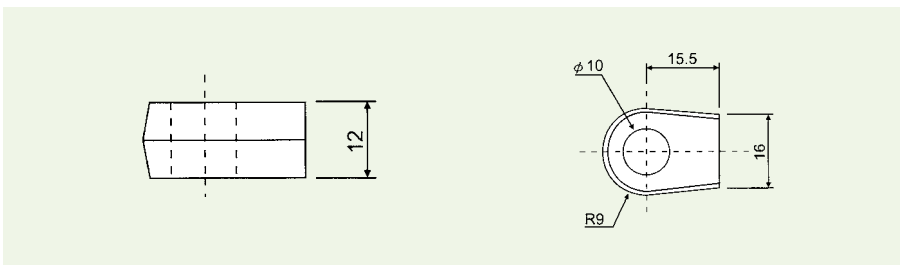
Code
5-000-B04



FLAT PLATE BALL BRACKET

- 10mm Ø ball

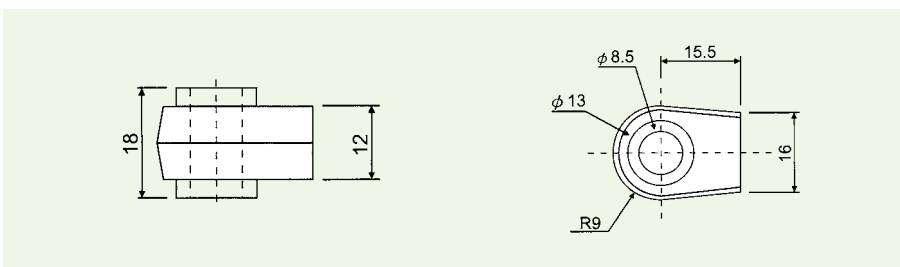
Code
5-000-B05



BOLT FITTING

- 10mm Ø hole

Code
5-000-D10



BOLT FITTING

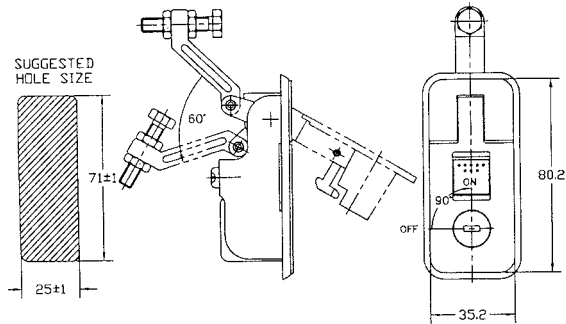
- 8.5mm Ø hole

Code
5-000-D13

Transport & Marine Products

COMPRESSION LATCHES & LOCKS

CHROME / BLACK (INCLUDES RUBBER GASKET)

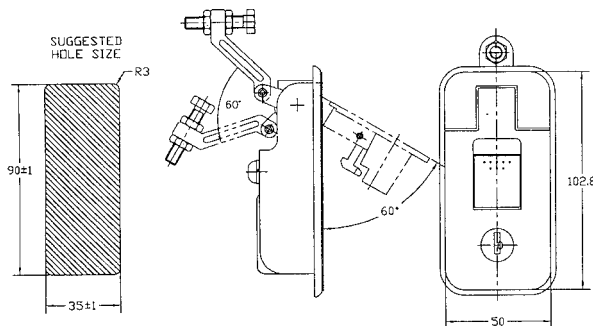


Key	Description	Code
A01	Small Chrome	5-100-100 CA
A02	Small Chrome	5-100-100 CB
A03	Small Chrome	5-100-100 CC

Key	Description	Code
A01	Small Black	5-100-100 A
A02	Small Black	5-100-100 B
A03	Small Black	5-100-100 C

Type	Code
Small foam gasket suits "checker plate", self adhesive	5-200-002

CHROME / BLACK (INCLUDES RUBBER GASKET)



Key	Description	Code
A01	Large Chrome	5-100-101 A
A02	Large Chrome	5-100-101 B
A03	Large Chrome	5-100-101 C

Key	Description	Code
A01	Large Black	5-100-102 A
A02	Large Black	5-100-102 B
A03	Large Black	5-100-102 C

Type	Code
Large foam gasket suits "checker plate", non adhesive	5-200-001

FOLDING T LOCK



Features:

- Stainless steel
- Includes rubber gasket

Straight Cam Key	Code
501	5-200-100
502	5-200-100 B
503	5-200-100 C

Transport & Marine Products

HINGES

ALUMINIUM WELD PIN HINGE

- 80mm aluminium hinge with grease nipple



Description	Size	Code
Aluminium Hinge	80mm	5-300-705

STEEL WELD PIN HINGE

- Steel hinge with grease nipple



Description	Size	Code
Steel Hinge	100mm	5-300-700
Steel Hinge	150mm	5-300-715
Steel Hinge	200mm	5-300-720

EVEN HINGE

- 316 stainless steel



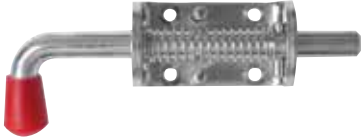
Type	Size	Code
Even Hinge	75mm x 45mm	5-300-400

Transport & Marine Products

TRUCK BODY HARDWARE & OVERCENTRE CATCHES

SPRING BOLT

- Zinc finish



Diameter	Projection	Base Plate	Code
12.5mm	30mm	70mm x 40mm	5-300-500

PIANO HINGES

- 2400mm length



Type	Size	Code
Galvanized	57mm x 1.6mm (5mm Brass Pin)	5-300-600
Galvanized	38mm x 1.2mm (3mm Brass Pin)	5-300-601
Stainless Steel 304	57mm x 1.6mm (5mm Brass Pin)	5-300-610
Stainless Steel 304	38mm x 1.2mm (3mm Brass Pin)	5-300-611

CATCHES

- Zinc finish
- Includes keeper



Diameter	Extended Length	Base Plate	Code
5mm	125mm	50mm x 32mm	5-200-200

CATCHES

- Zinc finish
- Includes keeper



Diameter	Extended Length	Base Plate	Code
7mm	165mm	62mm x 40mm	5-200-201



Bostik adhesives for innovation and performance



Bostik is committed to providing sustainable and innovative solutions that combine technological performance, ease of use, cost effectiveness and respect for the environment. Bostik has built their reputation on providing first class support to all of their customers and it is these combined commitments to innovation and service that continue to drive the business forward.

Worldwide R&D teams including Australia account for more than 400 chemists and technicians constantly focused on designing cost-effective adhesive solutions while maintaining priority on easy and safe handling as well as minimising cost and environmental impact.

