

LIFT COLUMNS



LINAK DL2 DESKLIFT

The DESKLINE DL2 column is designed for a wide range of workstation applications and it is the ideal choice for duties such as height adjustment of computer workstations, work benches, assembly desks or even kitchens.

Features:

- Application: Pull up only
- Height Position: Min 655mm Max 1550mm
- 150kg load capacity per leg
- Speed: up to 20 mm/s
- Dimension column: W147 x L194 mm
- Natural anodised aluminium with black end plates

Description	Code
DL2 Desklift	1-429-888



LINAK DL4 DESKLIFT

The hallmarks of the DL4 are the 3-stage inline design meaning that the motor is hidden inside the profiles giving the column a very sleek and elegant design easy to integrate in various desk designs. The 3-stage construction ensures a very low built-in dimension meaning that people of all heights can use the desk. Perfect for dropping a cupboard down from a ceiling or a TV from behind a cabinet.

Features:

- Application: Push and pull
- Height Position: Min 560mm Max 1235mm
- 70kg load capacity per leg
- Speed: up to 43 mm/s
- Dimension column: W58 x D109mm
- Black profile

Description	Code
DL4 Desklift	1-429-886



LINAK DL6 DESKLIFT

The DL6 DESKLIFT is a compact 3-part lifting column, which is a perfect choice for a wide range of different desk applications ranging from industry to office desks. The 3-part construction ensures a short installation dimension combined with a long stroke length making the DL6 an optimum choice no matter the height of the person using the desk.

Features:

- Applications: Push up only
- Height Position: Min 560mm Max 1210mm
- 120kg load capacity per leg
- Speed: up to 38 mm/s
- Dimension column: W147 x D194 mm
- Black profile

Description	Code
DL6 Desklift	1-429-887



LINAK CONTROL BOX CBD4

Features:

- Compatible with Deskline DL2, DL4 and DL6 columns
- Can be connected with 2 columns
- Mains power 120 V AC
- The control box is designed with a soft start/stop function
- Black profile

Description	Code
Control Box CBD4	1-429-889

LIFT COLUMNS



DESK PANEL SWITCH

Features:

- Up and down function via the arrows
- Available in black or white with chrome print
- Comes with 1580mm black cable
- Suitable for flush mounting

Colour	Code
Black	1-429-908
White	1-429-910



POWER CABLE

Features:

- 3 meters long
- Australian plug

Description	Code
Power Cable	1-429-890



MOTOR CABLE

Features:

- For connection of column to control box
- Length 2000mm

Description	Code
Motor Cable	1-429-891



REMOTE CONTROL AND RECEIVER

Features:

- The wireless system based on radio frequency technology is perfect for TV lift systems where cables are undesired
- Need to purchase all three items

Description	Code
Remote Control Handset	1-429-918
Wireless Receiver	1-429-916
Link Cable - connects to control box	1-429-920

Lift & Flap Systems

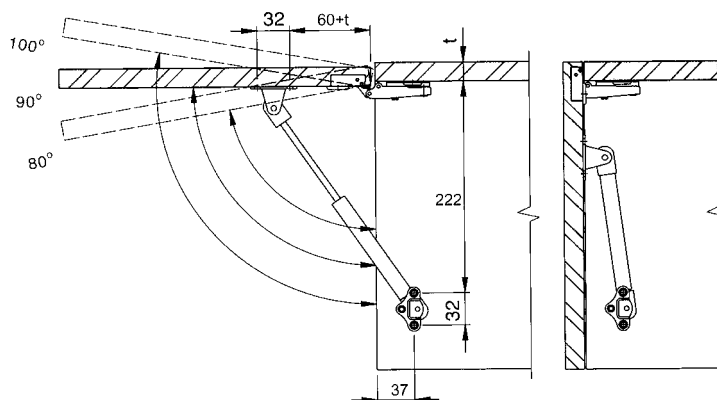
LIFT UP STAYS



GAS LIFT MECHANISM

Features:

- Easy and soft lifting from 80° to 100°
- Firm lifting supported by gas system for different door ranges
- Each lift includes one pair of mounting brackets, for left or right side mounting
- Ideal for all types of overhead storage
- Installed together with 35mm cup concealed hinges - refer section B.



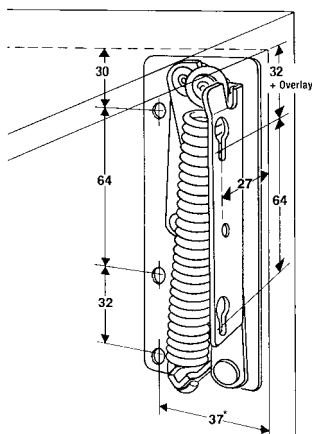
Description	Finish	Length	Code
2kg Capacity (80N)	Steel	255mm	5-001-255080
3kg Capacity (120N)	Steel	255mm	5-001-255120
4kg Capacity (160N)	Steel	255mm	5-001-255160



FLAP FITTING KB57 V

Features:

- Variable opening angle 75°
- Ease of operation
- No concealed hinges in the top panel required
- Spring strength 180N



Description	Finish	Code
Right Hand	White	1-366-772
Left Hand	White	1-366-774

Lift & Flap Systems

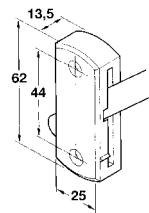
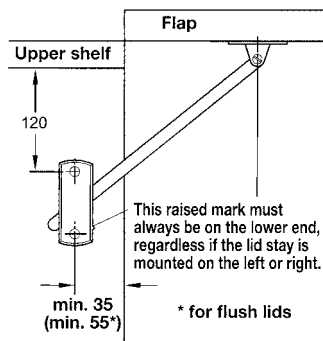
LIFT UP STAYS

STAY LID WITH CATCH

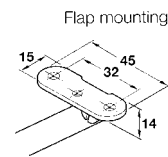


Features:

- Adjustable braking effect
- Open by lifting the flap until the support engages
- Close by slightly lifting the flap



Side panel mounting



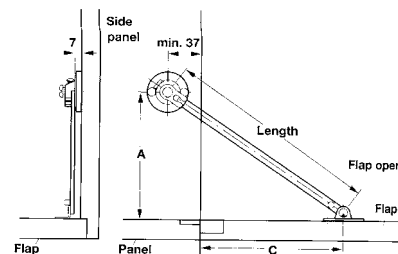
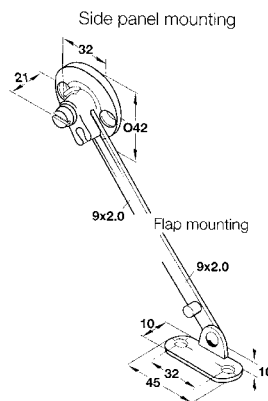
Flap mounting

Finish	Length	Code
Steel	250mm (Left Hand)	1-429-859L
Steel	250mm (Right Hand)	1-429-859R

FLAP STAY - 710

Features:

- Use for left or right fixing
- Screw-mounted reversible
- To adjust braking action, loosen or tighten screw on stay, as needed



Finish	Length	Code
Steel	250mm	1-429-858