

Alpha Gold Series Drill Bits



Independent controlled testing has proven that the Alpha Gold Series drill bits outperform other drill bits on the market by up to 30%.

- 135° split point cuts faster and reduces wandering
- Titanium Nitride coating reduces heat and increases lubricity for extended life
- Fully ground M2 HSS increases drill life


alpha®

Storage & Handling

Vacuum Cup Lifters

Single Cup _____ Y.2

Twin Cup _____ Y.3

Carry Clamps _____ Y.3

Handling Accessories _____ Y.4

Buggies & Trolleys _____ Y.5

A-Frames _____ Y.6

Carry / Storage Cases _____ Y.8



Storage & Handling



WOOD'S POWR-GRIP VACUUM CUP LIFTER - SINGLE CUP

- Pump action with visual monitoring of the vacuum at the tappet
- Lifter for glass, plastic, metal etc. with 204mm diameter suction pad
- Includes carry case

Description	Lifting Capacity	Code
Single Cup Lifter	57kg	2-408-450



VACUUM CUP LIFTER - SINGLE CUP



- For use on flat surfaces
- Solid, metal one piece body frame for durability and safety
- Minimum amount of time required to activate with the "Lexan pump"
- One touch release button
- 200mm diameter
- Includes carry case

Description	Lifting Capacity	Code
Single Cup Lifter	180kg	2-408-420



VACUUM CUP LIFTER - SINGLE CUP



- For use on flat surfaces
- Easy one hand operation
- Plastic body

Description	Lifting Capacity	Code
Single Cup Lifter	40kg	2-408-449



VACUUM CUP LIFTER - SINGLE CUP



- For use on flat surfaces
- Regulator adjusts to glass thickness
- Do not use on glass less than 5mm thick
- Aluminium body
- Lever action applies the vacuum

Description	Lifting Capacity	Code
Lever Action Lifter	120kg	2-408-401

Storage & Handling

VACUUM CUP LIFTER - TWIN CUP



- Suitable for handling all materials with smooth, flat, airtight surfaces such as glass, plastic, metal, coated wood, marble etc.
- Lever action applies the vacuum



Description	Lifting Capacity	Code
Plastic Body Lifter	80kg	2-408-405
Aluminium Body Lifter	80kg	2-408-406

SINGLE-HANDED CARRY CLAMPS

- Vulcanised rubber jaws to increase grip pressure
- Padded rubber handle for added comfort
- Grip range 0-25mm
- Lifting capacity 100kg
- Pad size 125mm x 250mm
- Can be used for carrying glass (minimum glass sheet weight 40kg)
- Sold in pairs



Description	Grip Range	Code
Single-Handed Carry Clamps	0-25mm	2-408-462

Storage & Handling



KNUCKLE SAVER

- 2 finger suction lifter
- Ideal for separating sheets
- 100mm diameter

Description	Code
Suction Lifter	2-408-503



TRANSIT PADS

- Pre-slit pads on a roll for ease of application (peel and stick)
- High visibility red
- Leaves no residue when removed
- 3,200 per roll

Description	Size	Code
2mm Thick Pad	18mm x 16mm	4-085-16182PAD
4mm Thick Pad	18mm x 16mm	4-085-16184PAD

CORK PROTECTIVE PADS

- Pre-slit pads on a roll for ease of application (peel and stick)
- Leaves no residue when removed
- 10,000 per roll



Description	Size	Code
2mm Thick Pad	18mm x 18mm	4-050-990
3mm Thick Pad	18mm x 18mm	4-050-994

Storage & Handling



BUGGY

- Footprint 635mm(W) x 1240mm(L); storage 920mm(H)
- Slim design for use in narrow areas on the jobsite including doorways
- Sturdy; prevents tipping by positioning the castors outside of the frame
- Thick rubber lined profile to prevent slippage
- Two ratchet tie down straps to secure your loads
- Pneumatic wheels for smoother transport on rough surfaces
- Heavy duty 5" polyurethane swivel castors with locking brakes
- Easy to assemble

Description	Height	Load Capacity	Net Weight	Code
Buggy	1160mm	363kg	47kg	2-409-970



SELF LOCKING TROLLEY

- Heavy trolley with two pneumatic wheels 350mm x 100mm
- Self-locking jaws and extendable arm
- Grip range 10mm - 105mm
- Rubber is vulcanised to the bottom, sides and top of trolley to avoid chipping edges of the work piece
- M2 - 125mm heavy duty swivel castor for increased stability
- M3 - kick stand

Description	Seat Length	Load Capacity	Net Weight	Code
Trolley M2	600mm	400kg	34kg	2-409-974
Trolley M3	490mm	400kg	29kg	2-409-971



4 WHEEL "SLIM JIM" TROLLEY

- Use to move your glass plate, solid surface, stone slabs or window frames around
- Joined by two solid wheels, two swivel wheels and a channel
- Rubber is vulcanised to the bottom and top sides of the channel to avoid chipping or scratching edges of finished work piece
- Maximum material width 80mm
- Solid wheels 205mm x 56mm
- Seat length 500mm

Description	Load Capacity	Net. Weight	Code
4 Wheel "Slim Jim" Trolley	275kg	17.5kg	2-409-972



4 WHEEL "FAT BOY" TROLLEY

- Use to move your glass plate, solid surface, stone slabs or window frames around
- Joined by two solid wheels, two swivel wheels and a channel
- Rubber is vulcanised to the bottom and top sides of the channel to avoid chipping or scratching edges of finished work piece
- Maximum material width 170mm
- Solid wheels 205mm x 56mm
- Seat length 500mm

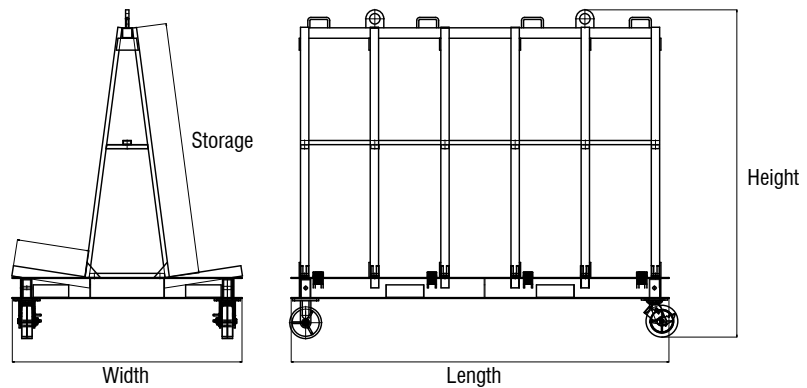
Description	Load Capacity	Net. Weight	Code
4 Wheel "Fat Boy" Trolley	275kg	20kg	2-409-973

Storage & Handling



ONE STOP A-FRAME

- Designed for transporting and storing materials onsite or within the workshop
- Solid surface, glass or stone is placed on special rubber profile and secured with 4 ratchet securing bars, easy to assemble
- Frame features 2 eyelets to be picked up by an overhead crane
- Space provided on all underneath sides for forklift transport
- Load capacity without castors 2000 kgs
- Lift capacity 1000 kg



Storage	Width	Length	Height	Net Weight	Code
900mm	975mm	1538mm	1285mm	148kg	2-409-962
1200mm	1100mm	1810mm	1585mm	193kg	2-409-963
1600mm	1100mm	1810mm	1985mm	215kg	2-409-964



SINGLE SIDED A-FRAME

- Footprint 650mm(W) x 1810mm(L); storage 1200mm(H); 310mm leg
- Sturdy design to prevent tipping, saves space
- Place solid surface, glass or stone on the special rubber profile and secure with 2 ratchet securing bars, easy to assemble
- Rubber strips mounted on bottom and back support to prevent slippage
- Castor release pins allow for fast change from mobile to stationary
- Four removable castors included are made from durable polyurethane

Description	Height	Load Capacity	Net Weight	Code
Single Sided	1530mm	1000kg	115kg	2-409-965



HIGH SIDED A-FRAME

- Footprint 1100mm(W) x 1820mm(L); storage 920mm(H); 440mm leg
- Sturdy design to prevent tipping
- Designed so that those loading avoid bending their back reducing the risk of injury
- Place solid surface, glass or stone on the special rubber profile
- Quick release mounting pins change the A-Frame from mobile to stationary
- Polyurethane castors for easy transport around the warehouse or on site

Description	Height	Load Capacity	Net Weight	Code
High Sided	1565mm	500kg/Side	112kg	2-409-966

Storage & Handling

WORKSHOP A-FRAME



- Strong Workshop A-Frame constructed of 2" square steel tubing
- Holds up to 1363kg per side
- Angled timber blocks to protect materials
- Size: 100mm(W) x 1524mm(L); storage 1450mm(H), 470mm leg
- Secured to floor through bottom channel (fixings by others)
- Sold in a set of 2 (two)

Description	Height	Load Cap.	Net Weight	Code
Workshop A-Frame	1524mm	1363kg/Side	60kg/Set	2-409-956

HEAVY DUTY TRUCK A-FRAME



- Constructed by two workshop A-Frames joined by 4 cross bars
- Comes with angled timber blocks; storage 1450mm(H), 470mm leg
- The sturdy structure is designed for picking up materials from one factory to another or to your worksite
- Easy to assemble

Description	Height	Load Cap.	Net Weight	Code
Heavy Duty Truck A-Frame	1524mm	2727kg/Side	87kg	2-409-957

TRUCK A-FRAME



- Constructed by two workshop A-Frames joined by a cross bar
- Comes with angled timber blocks; storage 1450mm(H), 470mm leg
- The sturdy structure is designed for picking up smaller loads from one factory to another or to your worksite
- Easy to assemble

Description	Height	Load Cap.	Net Weight	Code
Truck A-Frame	1524mm	2727kg/Side	67kg	2-409-958

Storage & Handling



EXACTAPAK 'MULTI CARRY CASE'

- Removable compartments in small case
- Inner lids hold contents in place when opening (see inset photo)
- Adjustable to suit a wide range of componentry and accessories
- Measurements exclude handle

Size	Colour	Length	Width	Height	Code
Small	Grey	405mm	180mm	170mm	2-400-101
Large	Grey	525mm	320mm	170mm	2-400-100



SORTIMO STORAGE CASE

- 23 removable compartments
- Sturdy metal case
- Slim profile
- Measurements exclude handle

Type	Length	Width	Height	Code
Storage Case	435mm	330mm	65mm	2-400-105



SMART Multi-Tool

the smart answer



The new SMART Multi-Tool is the most versatile power tool available. Thanks to the oscillation technology, the SMART Multi-Tool can perform time consuming and difficult tasks effortlessly and with ease many times quicker than conventional methods.

Not only is it easy to use, it's incredibly safe; making it the ultimate must have power tool. For precision cutting, effortless scraping, precise grout removal, aggressive grinding, plus a lot more, the SMART Multi-Tool has a job to do in every home and on every building site.

SMART[®]
MULTI-TOOLS & ACCESSORIES
INNOVATIVE SOLUTIONS | BETTER RESULTS