



Effegi Brevetti MINIWINCH

> Mechanism for downward folding flap doors





MINIWINCH

The Effegi Brevetti MINIWINCH mechanism allows for great access into cabinets. The unique dampening action for both opening and closing flap doors, along with the subtle metal cable make MINIWINCH a decorative and functional inclusion within your home furnishings.

Different spring models are available to accommodate door heights ranging from 200mm up to 480mm. All models have the ability to adjust the opening and closing strength, allowing the mechanisms to be used with doors of different material and weights of up to 14.5kg.

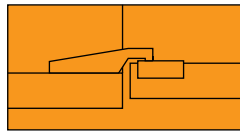
All MINIWINCH models can be applied in horizontal or vertical applications, making the mechanism ideal for very narrow cabinets. Additionally, each mechanism can be mounted on the left or right side of your cabinet, further improving access.

Cover caps are available in 3 select polymers - White, Black plus a painted Metallised Matt Silver.

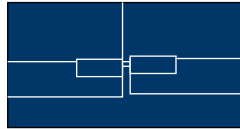
MINIWINCH is manufactured in Italy by Effegi Brevetti.

MINIWINCH Selection Format

Hinge Selection Types

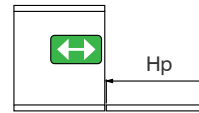
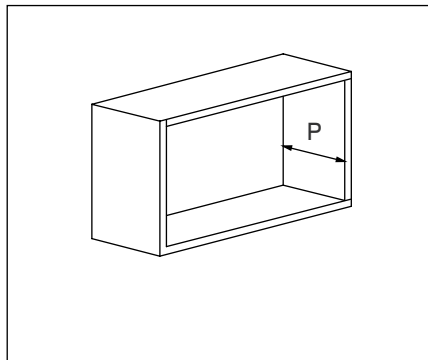


Hinge & Plate Application (unsprung)

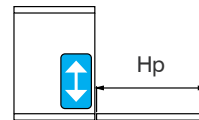


Flush Hinge Application (unsprung)

Minimum Internal Dimensions

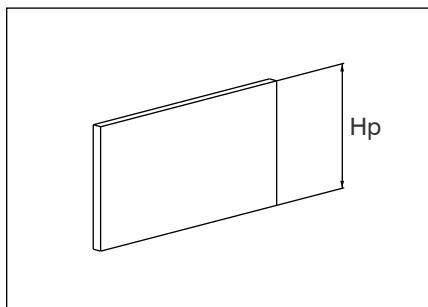


P min (horizontal mounting) = 196 mm



P min (vertical mounting) = 110 mm

Door Height Dimensions



Hp min = 200 mm
Hp max = 480 mm

Door Weight Tables - Horizontal Application

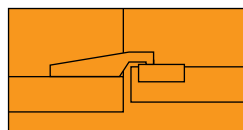
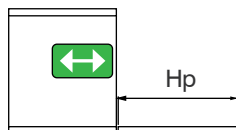
NOTE:

Hp refers to door height range.

Figures in tables refer to combined door & handle weight in kilograms.

EXAMPLE:

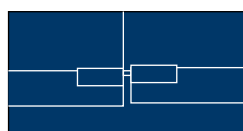
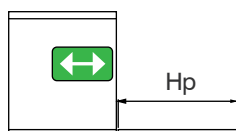
- Select door height range = **230 - 270mm identified**
- Combined door & handle weight is 7.2kg = **2 x Spring 6 identified**
- Select cover cap colour for Spring 6 = **Matt Silver selected**
- Code required = **2 x 1-421-306**



Hinge & Plate Application

Cover Cap Colour	Spring 4	Spring 6	Spring 10	Spring 14	Spring 16
White Set Code	1-421-104	1-421-106	1-421-110	1-421-114	1-421-116
Black Set Code	1-421-204	1-421-206	1-421-210	1-421-214	1-421-216
Matt Silver Set Code	1-421-304	1-421-306	1-421-310	1-421-314	1-421-316

Hp	Spring 4 X 1	Spring 4 X 2	Spring 6 X 1	Spring 6 X 2	Spring 10 X 1	Spring 10 X 2	Spring 14 X 1	Spring 14 X 2	Spring 16 X 1	Spring 16 X 2
200 - 230	2.0 - 2.8		3.5 - 4.8		4.3 - 5.8		4.9 - 6.9		5.9 - 7.8	
230 - 270	2.0 - 2.4	3.0 - 3.6	3.2 - 4.0	6.8 - 8.5	3.7 - 5.6	6.8 - 9.2	4.4 - 6.2		6.0 - 7.6	
270 - 330	1.7 - 2.1	3.2 - 3.8	3.1 - 3.9	5.4 - 7.4	3.8 - 5.0	7.4 - 9.0	4.0 - 5.2	8.6 - 11.0	4.7 - 7.3	10.6 - 12.6
330 - 380			2.6 - 3.6	5.0 - 7.2	3.3 - 4.9	7.2 - 8.8	3.7 - 5.1	8.0 - 11.2	4.4 - 5.5	9.6 - 12.4
380 - 430			2.8 - 3.7	4.5 - 7.0	2.9 - 3.9	6.1 - 8.7	3.3 - 4.5	7.5 - 11.0	3.9 - 5.2	8.4 - 12.2
430 - 460			2.2 - 3.0	4.3 - 6.3	2.9 - 3.7	5.9 - 8.3	3.3 - 4.5	7.5 - 10.5	3.7 - 4.9	8.5 - 11.0
460 - 480			2.8 - 3.0	4.1 - 6.1	2.9 - 3.7	5.5 - 7.5	3.4 - 4.1	7.0 - 9.5	3.7 - 4.5	9.0 - 10.0



Flush Hinge Application

Cover Cap Colour	Spring 4	Spring 6	Spring 10	Spring 14	Spring 16
White Set Code	1-421-104	1-421-106	1-421-110	1-421-114	1-421-116
Black Set Code	1-421-204	1-421-206	1-421-210	1-421-214	1-421-216
Matt Silver Set Code	1-421-304	1-421-306	1-421-310	1-421-314	1-421-316

Hp	Spring 4 X 1	Spring 4 X 2	Spring 6 X 1	Spring 6 X 2	Spring 10 X 1	Spring 10 X 2	Spring 14 X 1	Spring 14 X 2	Spring 16 X 1	Spring 16 X 2
200 - 230	2.4 - 2.8		4.0 - 4.8		4.2 - 6.2		4.8 - 6.8		5.8 - 8.0	
230 - 270	2.0 - 2.3	3.2 - 4.4	3.0 - 4.4	6.0 - 8.4	3.6 - 5.2	6.8 - 9.6	4.4 - 6.0		5.2 - 7.0	
270 - 330	1.4 - 2.0	2.9 - 3.8	2.9 - 3.8	5.6 - 7.8	3.0 - 4.6	6.4 - 8.8	3.6 - 5.2	7.0 - 10.2	4.6 - 6.0	8.6 - 11.8
330 - 380			2.7 - 3.7	5.0 - 7.0	3.2 - 4.3	6.5 - 8.5	3.7 - 4.9	6.9 - 10.1	4.3 - 5.7	8.7 - 11.1
380 - 430			2.9 - 3.6	4.5 - 6.1	3.1 - 3.9	5.7 - 7.3	3.7 - 4.5	6.9 - 8.0	4.5 - 6.1	8.5 - 10.1
430 - 460			2.7 - 3.1	4.3 - 6.1	2.7 - 3.9	5.9 - 8.3	3.7 - 4.7	7.1 - 9.5	4.1 - 4.9	8.3 - 9.5
460 - 480			2.5 - 2.9	4.1 - 5.7	2.8 - 3.8	5.3 - 7.7	3.6 - 4.4	6.8 - 8.9	3.8 - 4.8	7.2 - 9.6



WARNING

The weight and the position of the handle may influence the performance of the mechanism.

Door Weight Tables - Vertical Application

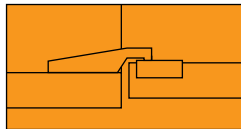
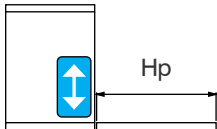
NOTE:

Hp refers to door height range.

Figures in tables refer to combined door & handle weight in kilograms.

EXAMPLE:

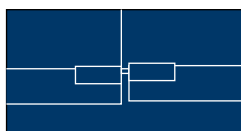
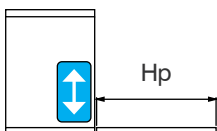
- Select door height range = **380 - 430mm identified**
- Combined door & handle weight is 4.5kg = **1 x Spring 14 identified**
- Select cover cap colour for Spring 14 = **White selected**
- Code required = **1 x 1-421-114**



Hinge & Plate Application

Cover Cap Colour	Spring 4	Spring 6	Spring 10	Spring 14	Spring 16
White Set Code	1-421-104	1-421-106	1-421-110	1-421-114	1-421-116
Black Set Code	1-421-204	1-421-206	1-421-210	1-421-214	1-421-216
Matt Silver Set Code	1-421-304	1-421-306	1-421-310	1-421-314	1-421-316

Hp	Spring 4 X 1	Spring 4 X 2	Spring 6 X 1	Spring 6 X 2	Spring 10 X 1	Spring 10 X 2	Spring 14 X 1	Spring 14 X 2	Spring 16 X 1	Spring 16 X 2
200 - 230	2.6 - 3.1		4.4 - 5.5		6.3 - 8.5		7.5 - 9.3			
230 - 270	2.1 - 2.5	4.0 - 4.8	3.4 - 4.5	6.8 - 9.2	4.5 - 5.6	9.2 - 12.0	6.8 - 8.6			
270 - 330	2.0 - 2.3	3.5 - 4.5	3.0 - 4.9	6.1 - 7.7	3.7 - 5.1	7.7 - 10.1	5.4 - 7.1	10.5 - 13.7	6.1 - 7.3	12.1 - 14.5
330 - 380			2.5 - 3.6	5.1 - 6.9	3.2 - 4.3	6.6 - 9.3	4.6 - 6.1	9.1 - 11.3	4.9 - 6.4	10.5 - 12.9
380 - 430			2.3 - 3.2	4.4 - 6.6	3.0 - 4.0	6.6 - 8.2	4.4 - 5.4	8.4 - 10.2	4.6 - 5.6	9.4 - 11.4
430 - 460			2.3 - 3.0	4.2 - 6.2	2.8 - 3.6	5.4 - 7.6	4.2 - 5.2	7.4 - 9.4	4.4 - 5.4	8.4 - 10.6
460 - 480			2.3 - 3.0	4.2 - 6.2	2.8 - 3.6	5.4 - 7.6	4.0 - 5.2	7.2 - 9.4	4.4 - 5.4	8.4 - 10.6



Flush Hinge Application

Cover Cap Colour	Spring 4	Spring 6	Spring 10	Spring 14	Spring 16
White Set Code	1-421-104	1-421-106	1-421-110	1-421-114	1-421-116
Black Set Code	1-421-204	1-421-206	1-421-210	1-421-214	1-421-216
Matt Silver Set Code	1-421-304	1-421-306	1-421-310	1-421-314	1-421-316

Hp	Spring 4 X 1	Spring 4 X 2	Spring 6 X 1	Spring 6 X 2	Spring 10 X 1	Spring 10 X 2	Spring 14 X 1	Spring 14 X 2	Spring 16 X 1	Spring 16 X 2
200 - 230	2.5 - 2.9		4.1 - 5.9		5.3 - 7.3		8.0 - 11.0			
230 - 270	2.2 - 2.5	4.1 - 4.8	3.3 - 4.8	6.8 - 9.6	4.2 - 6.0	9.6 - 12.8	6.6 - 8.6			
270 - 330	1.9 - 2.3	3.4 - 4.3	3.2 - 4.5	6.3 - 8.1	3.8 - 5.1	7.9 - 11.1	5.7 - 7.3	11.3 - 14.5	6.1 - 8.0	12.9 - 15.5
330 - 380			2.6 - 3.4	5.0 - 6.5	3.3 - 4.5	7.3 - 8.5	4.9 - 6.3	9.7 - 11.7	5.3 - 6.5	10.7 - 12.9
380 - 430			2.5 - 3.4	5.0 - 6.2	3.2 - 4.2	6.2 - 8.2	4.4 - 5.4	8.6 - 10.6	4.8 - 5.6	9.8 - 11.4
430 - 460			2.3 - 3.0	4.6 - 6.2	3.0 - 3.8	6.2 - 7.8	4.0 - 5.2	7.8 - 10.2	4.6 - 5.4	9.0 - 10.4
460 - 480			2.4 - 3.2	4.6 - 6.0	2.8 - 4.0	5.6 - 7.8	3.8 - 5.0	7.6 - 10.0	4.5 - 5.4	8.8 - 10.4



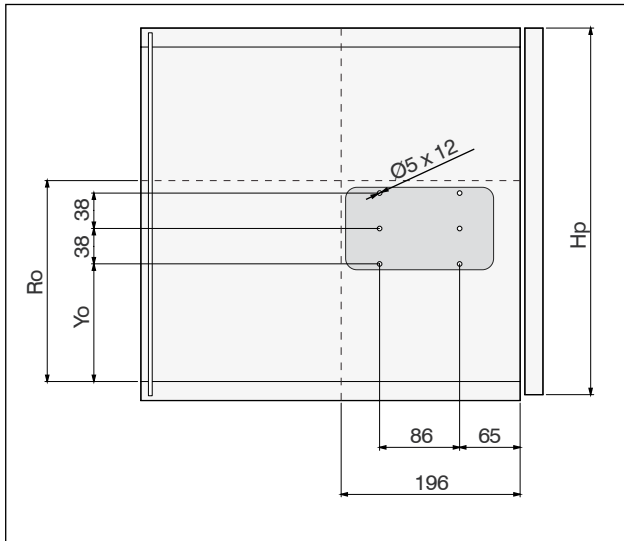
WARNING

The weight and the position of the handle may influence the performance of the mechanism.

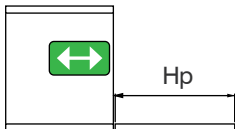
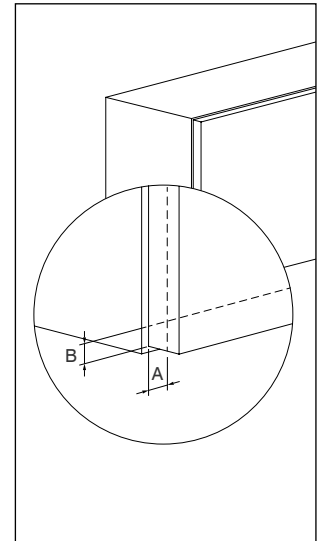
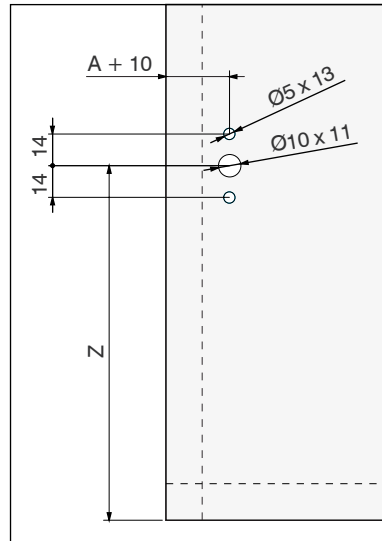
Technical Cabinet & Door Measurements

*All measurements in millimetres.

Drilling for horizontal application

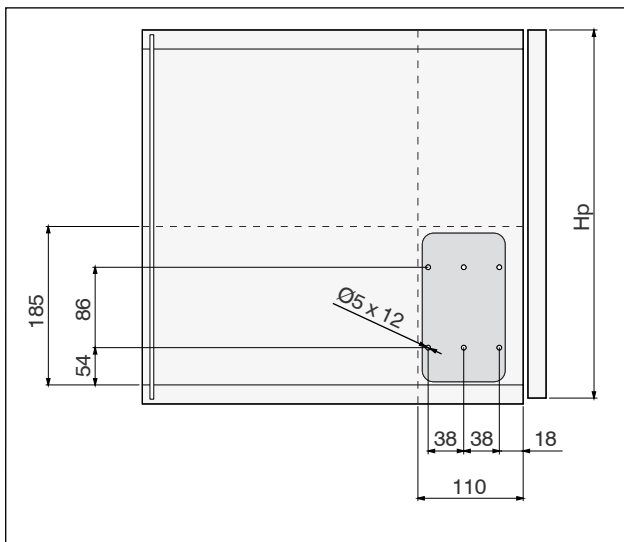


Door drilling

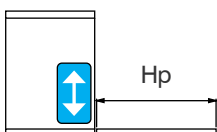
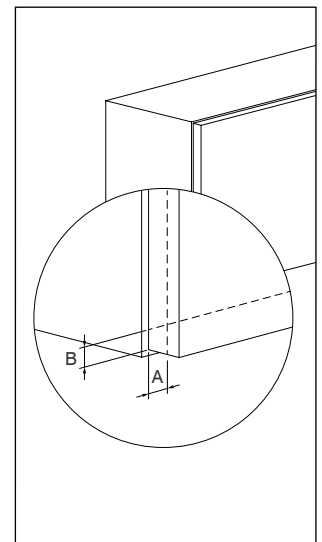
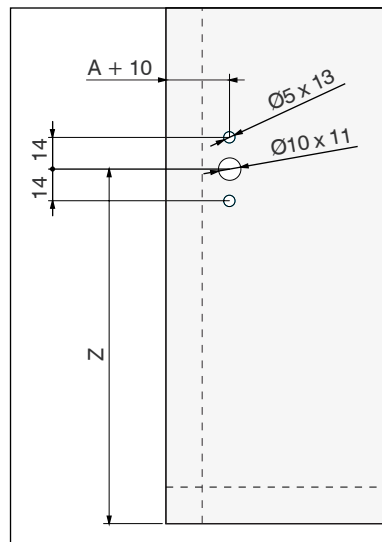


Hp	Yo	Ro	Z
200 - 330	102	194	137 + B
330 - 430	126	218	161 + B
430 - 480	136	228	171 + B

Drilling for vertical application

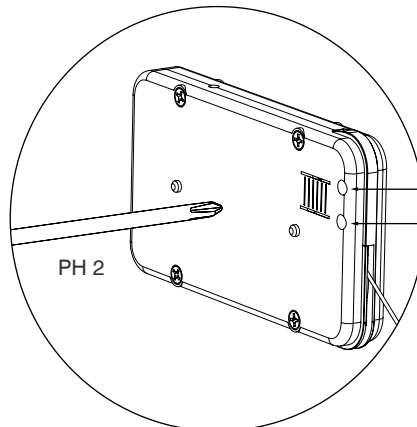
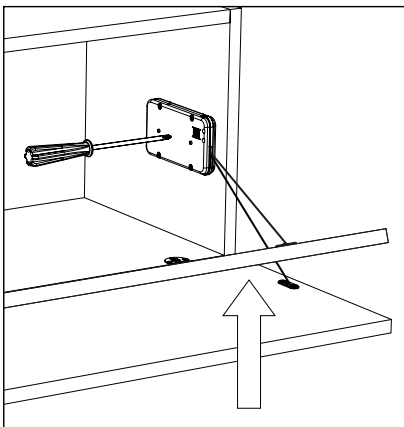
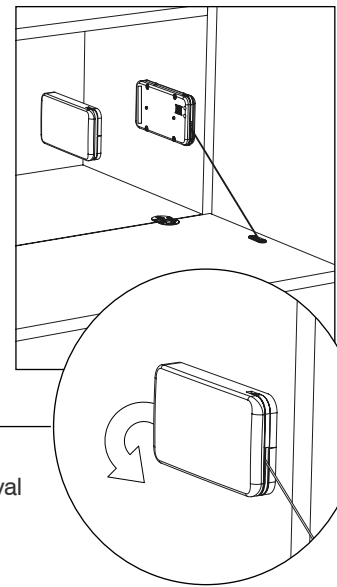
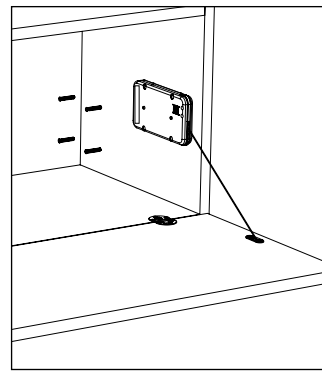
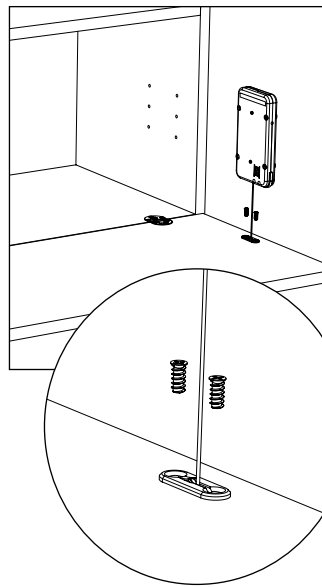
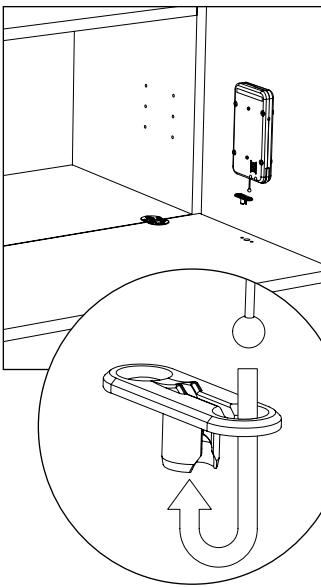
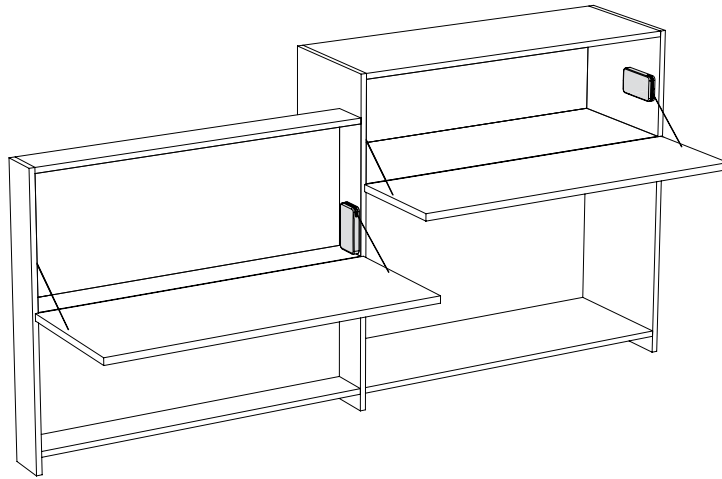


Door drilling



Hp	Z
200 - 480	161 + B

Mounting Instructions



Opening angle adjustment

Opening speed adjustment



WARNING

Support the weight of the door during adjustment.



National Customer Service:
Ph: 1300 551 919
Fax: 1300 739 656

www.lincolnsentry.com.au

Scan QR code to find
your nearest branch



For locations please visit
<http://www.lincolnsentry.com.au/contact-us/locations>

