

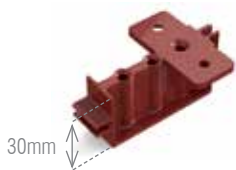


Get the handle-less look with the Finista GoLine handle profile!

- Handle profile creates a more streamlined look
- Innovative patented model - exclusive to Lincoln Sentry
- Made in Italy
  - Aluminium extrusion profile
  - Spacers, end caps & corner pieces made from ABS plastic

- Easy to install - quick mounting
- Suits both vertical and horizontal applications - doors, drawers and more
- Order lengths to suit requirements

**Spacer**



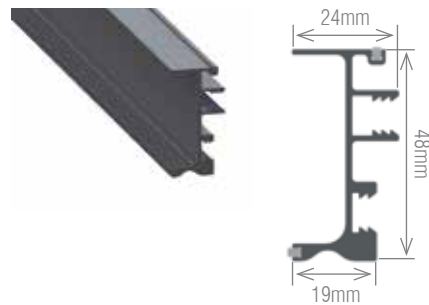
**Snap coupling**



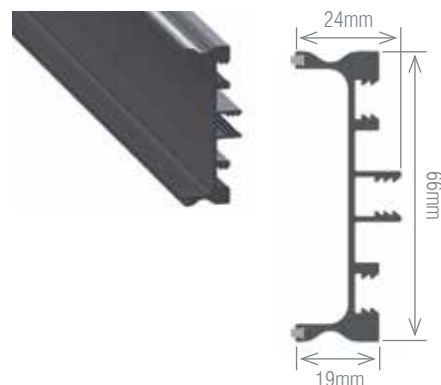
**Easy sliding to set the component into position**



**Finista GoLine Single Profile**



**Finista GoLine Double Profile**

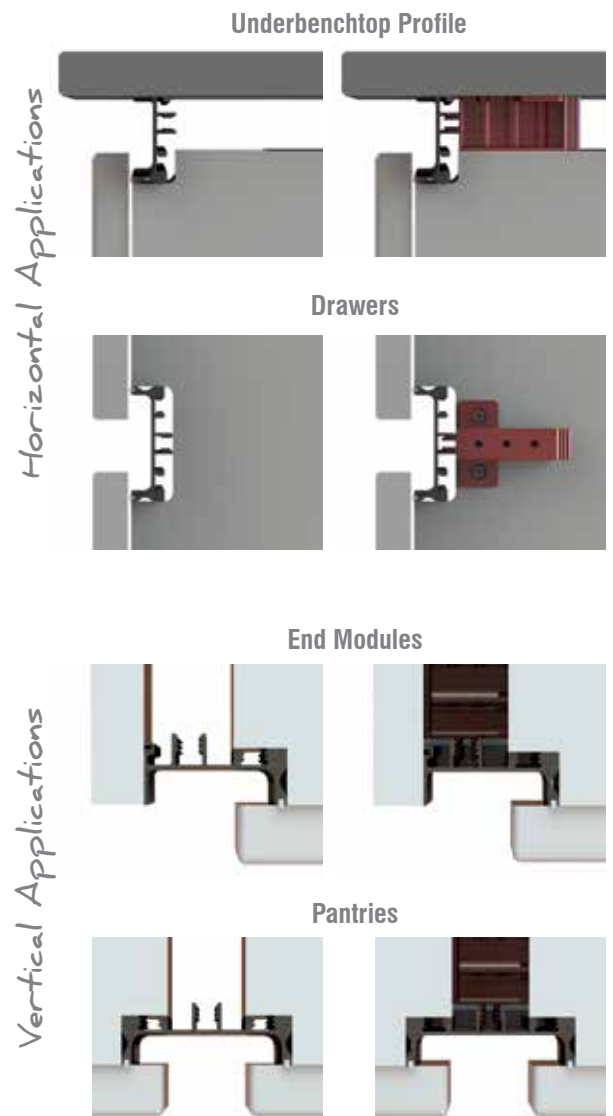




## Features & Benefits

- Only one spacer - suits both profiles
- Only two aluminium profiles - for a wide range of applications
- Standard module sides
- Internal and external corner pieces available for single profile - no mitre required!
- End cap available for double profile - neatly finishes off the profile
- Joint/spacer has snap coupling with sliding capability to fit into place
- Profiles available in 3 finishes:
  - Brushed Stainless Steel Look
  - Clear Anodised Aluminium
  - Black

Ask your local Territory Manager for more details!



**National Customer Service:**  
**Ph: 1300 551 919**  
**Fax: 1300 739 656**

[www.lincolnsentry.com.au](http://www.lincolnsentry.com.au)

Scan QR code to find  
your nearest branch



For locations please visit  
<http://www.lincolnsentry.com.au/contact-us/locations>

**LINCOLN**  
SENTRY