

**NEW RANGE
NOW AVAILABLE**



- NEW to Lincoln Sentry
- 50 Year Warranty
- Grade 304, 18/10 Stainless Steel

Ondaline Single Bowl and Drainer 860W x 500H x 175Dmm

Left Hand Bowl Code

1-489-060

Right Hand Bowl Code

1-489-062

- Single Bowl
- 1 Tap Hole
- Grade 304, 18/10 Stainless Steel
- 90mm basket waste
- Made in Italy
- 50 Year Warranty



*Right Hand bowl model shown



*Right Hand bowl model shown

Ondaline 1 & ½ Bowl and Drainer 1000W x 500H x 175Dmm

Left Hand Bowl Code

1-489-070

Right Hand Bowl Code

1-489-072

- 1 & ½ Bowl
- 1 Tap Hole
- Grade 304, 18/10 Stainless Steel
- 2 x 90mm basket wastes
- Made in Italy
- 50 Year Warranty

Ondaline Double Bowl and Drainer 1160W x 500H x 175Dmm

Left Hand Bowl Code

1-489-080

Right Hand Bowl Code

1-489-082

- Double Bowl
- 1 Tap Hole
- Grade 304, 18/10 Stainless Steel
- 2 x 90mm basket wastes
- Made in Italy
- 50 Year Warranty

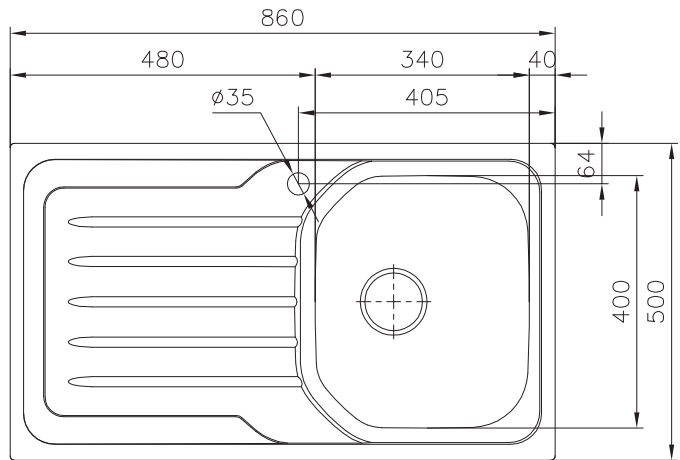
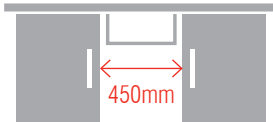


*Right Hand bowl model shown

Ondaline Single Bowl and Drainer 860W x 500H x 175Dmm

Bowl Size 340mm x 400mm x 175mm
Cut-Out Size 840mm x 480mm

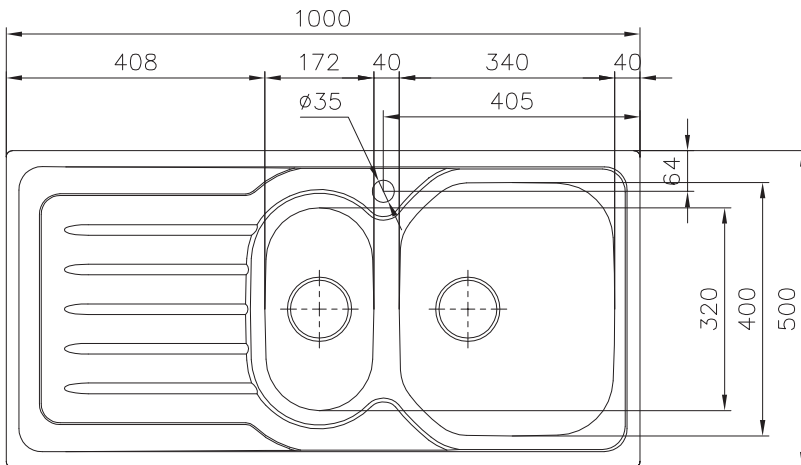
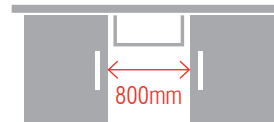
Cabinet Base Required:



Ondaline 1 & 1/2 Bowl and Drainer 1000W x 500H x 175Dmm

Bowl Size 340mm x 400mm x 175mm
Cut-Out Size 980mm x 480mm

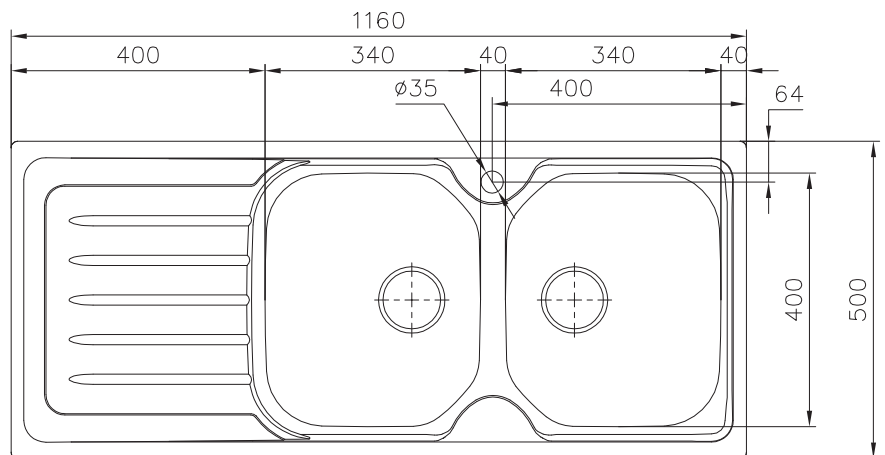
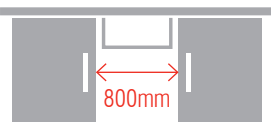
Cabinet Base Required:



Ondaline Double Bowl and Drainer 1160W x 500H x 175Dmm

Bowl Size 340mm x 400mm x 175mm
Cut-Out Size 1140mm x 480mm

Cabinet Base Required:



National Customer Service:
Ph: 1300 551 919
Fax: 1300 739 656

www.lincolnsentry.com.au

Scan QR code to find
your nearest branch



For locations please visit
<http://www.lincolnsentry.com.au/contact-us/locations>