



TambortechDoors

REVEAL THE SPACE, CONCEAL THE CLUTTER

Tambortech warrant the door against defects and workmanship but only if the door is correctly & competently installed by a certified tradesperson.

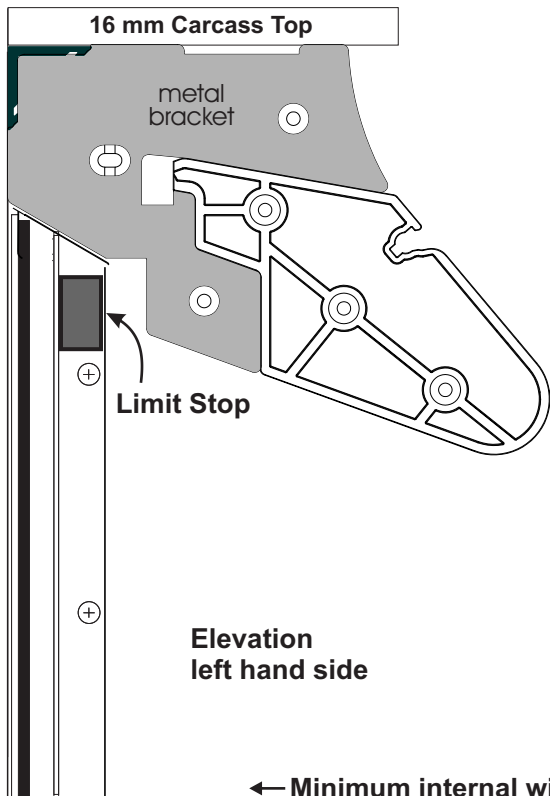
Installation Instructions for a Tambortech Door tandem powered by an EMAT Electronic Motor & a spring roller.

The electric motor is fitted inside the front roller to complement the normal spring powered back roller. The two power sources work in tandem – the spring creates neutral weight balance and the electric motor friction drives the tambour door.

The Tambour Door can be manually raised [not lowered] in the event of a loss of power, electric motor failure or if the remote controller is lost or malfunctions. Also, if the door is obstructed during operation, the electric motor will not be damaged. For further clarification contact our sales office on 1300 669 277.

For this Job No _____, the number of full rotations of the back roller required are _____

Failure to complete these rotations correctly will cause faulty operation of the door.

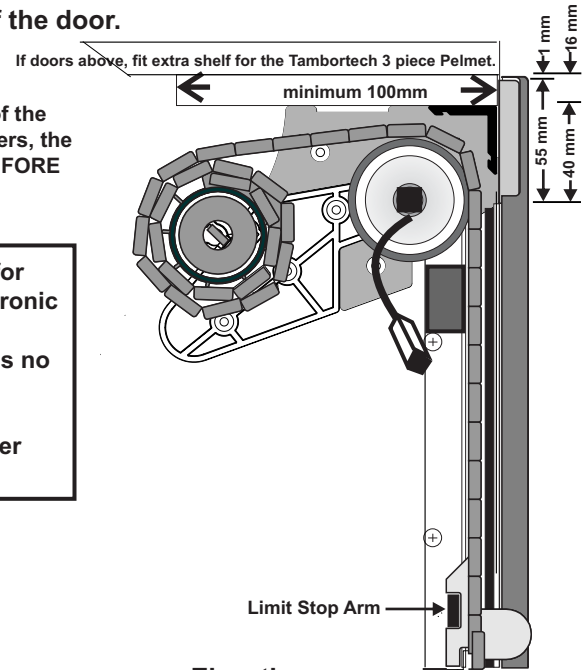


Elevation left hand side

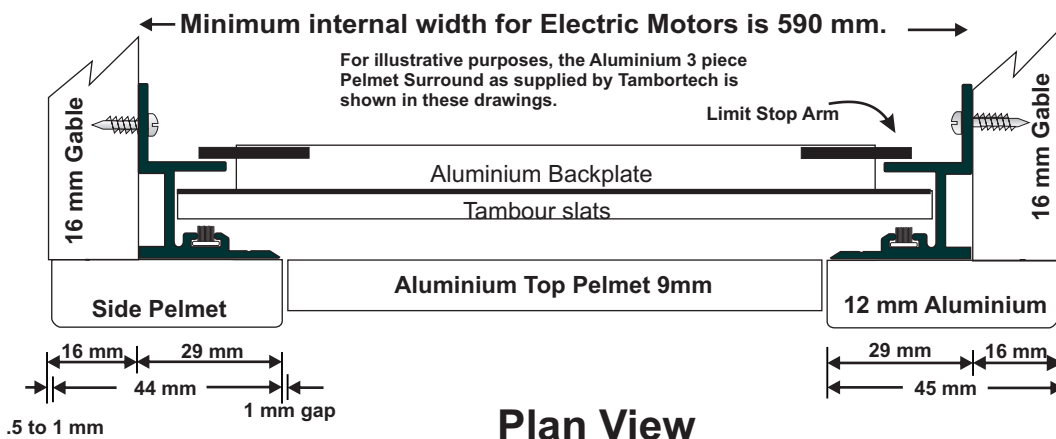
If you wish to screw-fix the TOP of the Pelmet Surround supplied by others, the Pelmet has to be fitted & fixed BEFORE the FRONT ROLLER is fitted.

This installation instruction for Tambortech Doors with electronic motor and controller is only applicable if the Top Pelmet is no wider than 75 mm plus the carcass top thickness. Phone 1300 669 277 for further information.

Patent 672562
Patent 2003100293

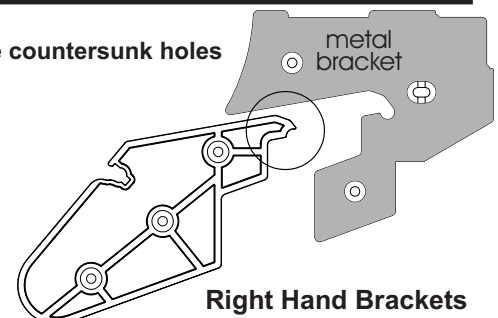
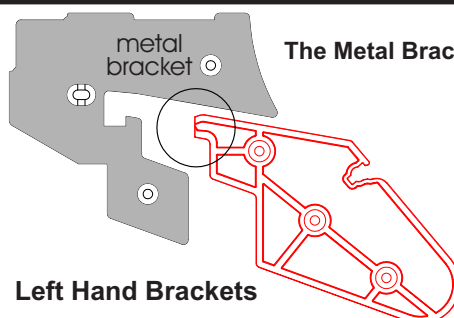


Elevation right hand side



Plan View

Shown here are the drawings of the bracket system used for the Electric Motor/Spring combination. Note that each bracket has its own unique position.



The Metal Brackets have countersunk holes

BEFORE STARTING.....Please read these instructions carefully.



TambortechDoors

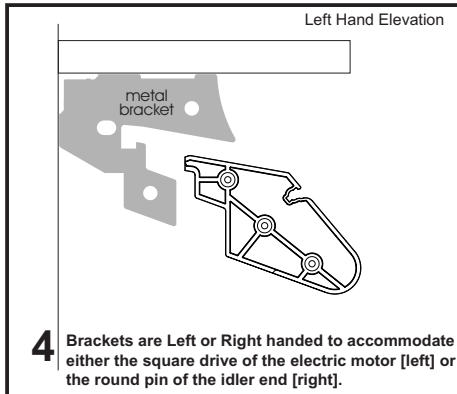
REVEAL THE SPACE, CONCEAL THE CLUTTER

Tambortech warrant the door against defects and workmanship but only if the door is correctly & competently installed by a certified tradesperson.

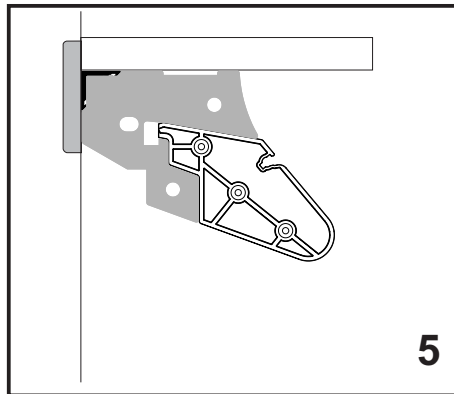
Before Starting... Please read these Instructions carefully.

Depending on the size and type of Tambortech Door, there may be more than one package.

- 1 Carefully unwrap Tambortech Door package. Do not use any kind of blade along the length of the package **UNTIL YOU HAVE OPENED EACH END..**
- 2 All Screws for brackets, handle, pelmet surround & side tracks are supplied in individually marked plastic bags.
- 3 Using the wrapping, re-wrap the door to protect from possible damage and to **exclude dust and particles from collecting between the slats.** **This is very important - the Tambour will not hang straight if there is rubbish between the slats.**

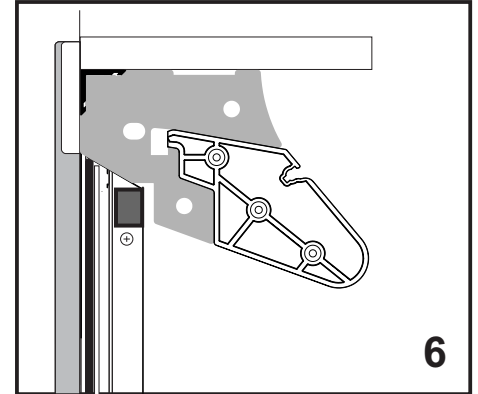


4 Fit the 2 part brackets hard up to the carcass top and flush to Side/Gable front edge using adjustable screw slot first. Ensure the bottom section of the bracket is **FIRMLY** nested to the top section. The square slotted metal bracket & the square beaked plastic bracket fit to the left hand gable.

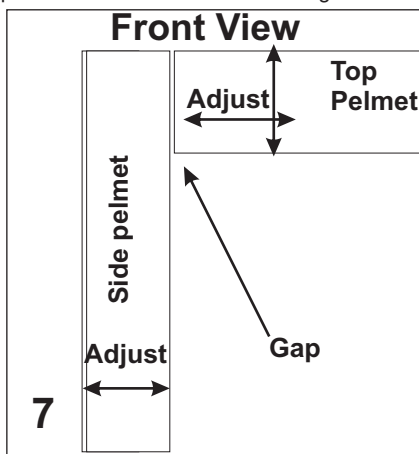


5 Slide the specially designed aluminium angle into position on top of the brackets **DO NOT FIX.**

NOTE:- If Tambortech 3 piece Pelmet Surround has been ordered, the Side Pelmets will be pre-fitted to this angle.



6 Ensure track is **FLUSH** with front edge of Side/Gable then screw fix. NOTE:- If Tambortech 3 piece Pelmet Surround has been ordered, the Side Pelmets will be pre-fitted to the side tracks.

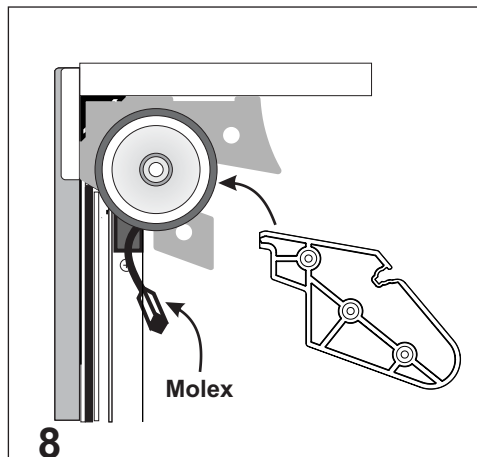


7 Using the screws provided, screw fix the top aluminium angle then, using the **BLACK** screws provided fit **your** own 1 or 3 piece Pelmet through the aluminium side tracks and the top aluminium extrusion.

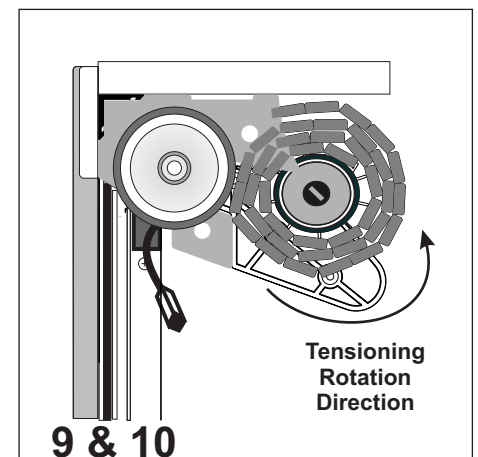
OR

You can align top horizontal section of the **Tambortech 3 piece Pelmet Surround** to an even gap each side then screw fix aluminium angle to carcass top.

Vertical alignment of + or - 1 mm is available on both side & top pelmet sections as shown in drawing. Loosen fixing screws at rear of pelmet - adjust then re-tighten screws.

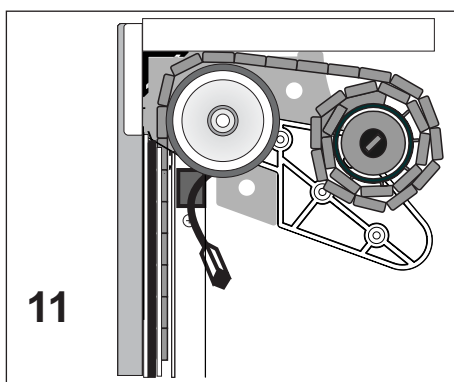


8 The Electric Motor is fitted inside the front roller. The front roller will only turn or rotate when the controller buttons are pressed – **IT WILL NOT ROTATE MANUALLY.** Viewed from the front of the cupboard, the power cord with molex fits to the left hand side. Remove lower section of the left hand bracket and place front roller with electric motor into roller slots. The power cord fits into a slot in the motor housing and this slot [and cord] **MUST POINT DOWN.** If the power cord is not vertical, the tambour roll will foul the cord and cause an electrical short. Refix lower section of bracket. Ensure the rubber rings are placed 1 at each end then evenly spaced on the roller.

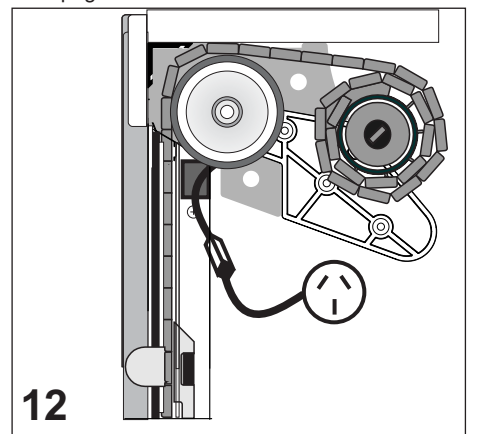


9 Unwrap the re-wrapped Tambortech Door ensuring no dust or particles enter between the slats and, from behind the Brackets, place the Door into the bracket slots. Apply pressure to the pin end to click into the bracket.

10 Tension the spring by rotating the tambour door in the direction indicated [towards the front] with number of full rotations noted on the front page of these instructions.



11 We have provided a temporary door pull [PVC edging taped onto the bottom of the tambour] to help in guiding the tambour over the front roller and into the side tracks. Don't forget – the front roller won't turn. With one hand on the back roll and the other hand on the front edge, carefully unroll the tambour and guide over the front roller until the PVC tab protrudes enough to hold. Keep unrolling the tambour, carefully pulling the tab and turning the back roller, while guiding the door into the side tracks until the door is in a suitable position to fix the handle and back plate. Do not use the bottom slat to pull the door down. Carefully remove the temporary door pull.



12 Fix the handle and backplate with the screws provided. Then gently push the tambour door up until the backplate limit arms hit the limit stops on the side tracks. Unroll the door **OFF THE BACK ROLLER** to ensure there is a gap of approximately 10 mm between the limit arms and the limit stops.

This section of the instructions should be read through, carefully, before commencing the procedure.

Ensure that step 12 has been done otherwise the following instructions on the setting of the electronics will not be successful.

[13] The Nice Electronic Motor is permanently wired with a power lead approximately 600 mm long terminating with a molex connection module. Tambortech supply a connection power lead, approximately 1800 mm long, with a molex connection on one end and a three pin plug on the other end.

WE suggest a 19 mm hole be drilled in an out of the way position in the cupboard [behind the back roller] to connect to temporary power. Connect molex to molex and turn the power on.

[14] Assemble the Controller.

WHENEVER USING THE CONTROLLER, ENSURE YOU ARE HOLDING IT THE CORRECT WAY UP.

The controller gives you "one touch control". In normal operation, **DO NOT HOLD ANY BUTTON DOWN** - this can alter electronic settings.

One touch of the **DOWN** button and the tambour door will move to the pre-set closed position.

One touch of the **UP** button and the tambour door will move to the pre-set open position.

One touch of the **STOP** button and the tambour door will stop.

THE OPEN POSITION & THE CLOSED POSITIONS FOR THE TAMBOUR DOOR HAVE BEEN FACTORY PRE-SET BUT MAY REQUIRE FURTHER ADJUSTMENT ON SITE.

ARE THE OPEN & CLOSED POSITIONS CORRECT.

A quick check - press the **UP** button once [don't hold] and the Tambour will move to the pre-set top setting and stop. Press the **DOWN** button once [don't hold] and the Tambour will move to the pre-set bottom setting and stop. The Door can be stopped in any position using the **STOP** button.

[15] Disconnect from temporary power and set up wiring for permanent power supply. Use power lead supplied - if too long, an electrician can shorten to suitable length.

If necessary, use conduit [with double sided tape] supplied with Tambortech Door to cover internal wiring up to molex.

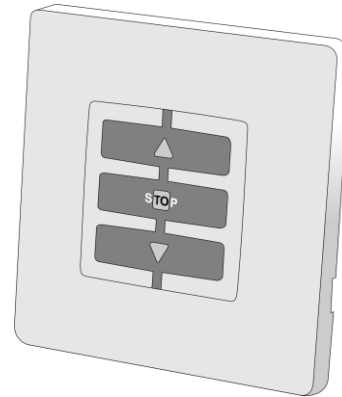
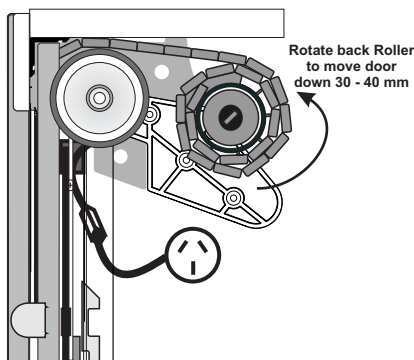
[16] Mount Controller bracket in suitable position - generally on the outside of a cupboard gable and clip Controller in place.

Problems that may be apparent, such as,

[a] If there is a slight gap between the bottom of the Door and the Benchtop/Floor, press the UP button on the controller. In the open position, place one hand on the back of the rear roller and manually rotate the Door forward so that it moves down 30 to 40 mm in the opening as shown in drawing below. Press the DOWN button.

When the Door closes down to the benchtop/floor, the electric motor will continue operating until the motor reaches the pre-set electronic stop for the down position.

To check that the Door fully closes, use the controller to fully open & close the Door.



Controller

[b] After testing for [a], if the Door still does not close to the Benchtop/Floor but the electric motor continues rotating, the counter balancing torsion spring, located in the back roller, may have too many turns [too powerful for the electric motor]. Eventually, this will cause failure of the friction system.

Press the UP button on the controller. The front roller is locked by the electric motor and will not rotate, so there will be friction involved in the next steps.

Place one hand on the back of the rear roller and manually rotate the Door forward so that it moves down 300 to 400 mm in the opening - enough to undo the handle screws. Take the handle and backplate off then push the door up - do not let the Door go - the spring tension will release and the Door will unwind [We have a record of the number of turns on file].

Place one hand on the back roller and let the Door go up and over the front roller. Allow the Door to undo one revolution. Now reverse the procedure. Thread the Door back over the front roller - you may require a blunt knife to help guide the Door into the side tracks. Rotate the back roller to bring the Door down far enough to re-screw the handle and backplate.

Manually lift the Door up as far as it will go then repeat procedure as in previous problem [a] - Manually rotate the Door forward, etc.

[c] If the spring does not have enough tension, the Door will stop before reaching the set upper limit but the electric motor will continue rotating. Eventually this will cause failure of the friction system.

Press the UP button on the controller. The front roller is locked by the electric motor and will not rotate, so there will be friction involved in the next steps.

Place one hand on the back of the rear roller and manually rotate the Door forward so that it moves down 300 to 400 mm in the opening - enough to undo the handle screws. Take the handle and backplate off then push the door up - do not let the Door go - the spring tension will release and the Door will unwind [We have a record of the number of turns on file].

Place one hand on the back roller and let the Door go up and over the front roller. Increase the spring tension by rotating the back roller forwards one revolution. Now reverse the procedure. Thread the Door back over the front roller - you may require a blunt knife to help guide the Door into the side tracks. Rotate the back roller to bring the Door down far enough to re-screw the handle and backplate.

Manually lift the Door up as far as it will go then repeat procedure as in previous problem [a] - Manually rotate the Door forward, etc.

[d] IF THE OPENING HEIGHT OF THE CABINET IS LESS THAN THE OPENING HEIGHT OF THE ORIGINAL ORDER, THE SIDE TRACKS AND/OR PELMETS WILL HAVE TO BE REDUCED TO SUIT. CUT THE EXCESS FROM THE BOTTOM OF TRACKS & PELMET.

THE CLOSED POSITION OF THE TAMBORTECH DOOR WILL HAVE TO BE RE-SET.

SETTING THE NEW CLOSED POSITION OF THE TAMBORTECH DOOR.

There is a time limit of 60 seconds between EACH step from step [a1] to step [a8].

If at any stage there are 6 jiggles of the Tambortech Door, you have exceeded the 60 second time limit between EACH step. You must start again at step [a1].

If you have gotten off track, or for any other reason, you need to start again - wait 60 seconds for the 6 jiggles and start again at step [a1].

During this process, the controller buttons respond to press and hold only.

[a1] Press the **UP** button on the controller. Then, in the Up position, gently push the tambour door up until the backplate limit arms hit the limit stops on the side tracks. Unroll the door OFF THE BACK ROLLER to ensure there is a gap of approximately 10 mm between the limit arms and the limit stops.

[a2] Using the controller, move the Door to the approximate centre of the opening.

[a3] **Press and HOLD** the **STOP** button and **WAIT** until the Tambour completes two [2] jiggles. Release when complete.

[a4] **Press and HOLD** the **STOP** button and **WAIT** until the Tambour completes four [4] jiggles. Release when complete.

[a5] **Press and HOLD** the **DOWN** button and **WAIT** until the Tambour completes two [2] jiggles. Release when complete.

[a6] **Press and HOLD** the **DOWN** button on the Controller and move the Tambour to within 50 mm of the closed position. **Short taps** of the **UP** or **DOWN** buttons will move the tambour in short increments.

[a7] Move the tambour down to a snug fit to the Benchtop/Floor. The bottom seal of the door should just make contact with the Benchtop/Floor.

It may be necessary to repeat the procedure several times to achieve the perfect fit. Too tight to the Benchtop/Floor and the friction with each closing will cause the Silicone Rings to wear prematurely.

Don't stress if the motor times out - just start again at step [a1]

[a8] Then, **press and HOLD** the **STOP** button on the controller and **WAIT** until the Tambour completes three [3] jiggles. Upon completion release the **STOP** button.

On completion of step [a8], the jiggling motion will move the tambour above the Benchtop/Floor. This is normal.

THE CLOSED POSITION IS NOW SET and the controller is back to "one touch control".

ARE THE OPEN & CLOSED POSITIONS CORRECT.

A quick check - press the **UP** button once [don't hold] and the Tambour will move to the pre-set top setting and stop. Press the **DOWN** button once [don't hold] and the Tambour will move to your bottom setting and stop. The Door can be stopped in any position using the **STOP** button.

IF YOU HAVE ANY QUERIES IN RELATION TO THIS INSTALLATION PLEASE PHONE 1300 669 277.

Warranties:-
Tambour Door 5 years
Electric Motor 5 years
Controller 2 years

NOTE:- The electric motor has a maximum of 4 minutes CONTINUOUS use. If that is exceeded, the electric motor will switch off & 30 - 60 minutes will elapse before the electric motor will re-start.

TROUBLE SHOOTING TIPS.

The Door does not respond when the remote controller buttons are pressed.

[a] The electric motor has a maximum of 4 minutes continuous use before over-heating. If that time is exceeded, the electric motor will automatically switch off - 30 to 60 minutes will elapse before the electric motor can be activated.

[b] Test an appliance in the power point or check the fuse box to ensure power is available.

[c] When pressed, the controller may still show a red light but the signal may be too weak for the electric motor to respond. Replacement batteries can be purchased at major hardware outlets. Battery model is Varta CR 2032 Li-MN 3V +.

[d] Have the molex power lead connections been altered in any way?

If either of the molex connections are altered in any way, the Door will not operate or will behave in an erratic manner.

The Door does not close neatly to the benchtop.

[e] The Door has been partially opened manually by mistake or to access food, etc, during a power blackout, OR

[f] An object has impeded the closing of the Door.

To rectify any of these situations:-

Press the UP button on the controller. In the open position, place one hand on the back of the rear roller and manually rotate the Door forward so that it moves down 30 to 40 mm in the opening as shown in drawing below. Press the DOWN button.

When the Door closes down to the benchtop/floor, the electric motor will continue operating until the motor reaches the pre-set electronic stop for the down position.

To check that the Door fully closes, use the controller to fully open & close the Door.

DO NOT PRESS & HOLD THE STOP BUTTON UNLESS YOU ARE RE-SETTING THE TOP & BOTTOM LIMITS OF THE DOOR.

If inadvertently, the **STOP** button is Pressed & Held, the Door will respond with two [2] jiggles which is the prelude to setting limits. If any further buttons are pressed, the Door commands will most probably be altered.

Please advise your client that if they do Press & Hold the STOP button, do not Press any button until the Door completes the first two [2] jiggles and then, after 60 seconds, another 6 jiggles.

The Door will have then returned to normal operation.

This installation instruction for Tambortech Doors with electronic motor and controller is only applicable if the Top Pelmet is no wider than 75 mm plus the carcass top thickness. Phone 1300 669 277 for further information.

Tambortech warrant the door against defects and workmanship but only if the door is correctly & competently installed by a certified tradesperson.